

ELC Graphics Panel



HMi Operator Interface



XP Operator Interface



PanelMate Operator Interface



39.1 Product Overview

Product Selection Guides	V7-T39-2
--------------------------------	----------

39.2 ELC Graphics Panels

Product Description	V7-T39-5
Features	V7-T39-5
Standards and Certifications	V7-T39-6
Catalog Number Selection	V7-T39-7
Product Selection	V7-T39-7
Software and Accessories	V7-T39-8
Technical Data and Specifications	V7-T39-10
Dimensions	V7-T39-11

39.3 HMi Operator Interface

Product Description	V7-T39-13
Features	V7-T39-13
Standards and Certifications	V7-T39-14
Catalog Number Selection	V7-T39-15
Product Selection	V7-T39-15
Software and Accessories	V7-T39-16
Technical Data and Specifications	V7-T39-19
Dimensions	V7-T39-23

39.4 XV and XP Operator Interface with Visual Designer

Product Description	V7-T39-26
Features and Benefits	V7-T39-26
Product Selection Guide	V7-T39-27
XV Operator Interface	V7-T39-28
XP Operator Interface	V7-T39-31
Visual Designer Software	V7-T39-35

39.5 PanelMate Operator Interface

Product Description	V7-T39-37
Product Selection Guide	V7-T39-38
ePro PS	V7-T39-40
Standalone Touchscreen Displays	V7-T39-47
Canvas Software	V7-T39-49
PanelMate Power Pro LT1100, 1700, 3000 and 5000	V7-T39-51
PanelMate PC Pro Runtime Hardware Key	V7-T39-58
Power Pro Software	V7-T39-59
Accessories	V7-T39-60
Legacy Products Spare Parts	V7-T39-69



Product Selection Guides

Operator Interfaces and Programming Software Selection Guide



Description	ELC-GP Graphics Panel Page V7-T39-5	HM/ Operator Interface Page V7-T39-13
Screen size	Two-line and four-line	3.5 in, 5.7 in, 8.0 in and 10.4 in
Screen options	Monochrome	Blue mode, grey scale, 256 color STN or 65k color TFT
Interface	Keypad only	Resistive touchscreen only or touchscreen and keypad
Communication ports	2 serial	3 serial; 1 or 2 USB; Expansion port for Ethernet Modbus TCP or Local I/O
Simultaneous protocols	1	3 or 4
Ethernet drivers	—	Yes
Upload/download	Serial cable	Serial, Ethernet, and/or USB
Operating system	Proprietary	Proprietary
Third-party software support	—	—
Screen saver	—	Yes

Operator Interfaces and Programming Software Selection Guide, continued



Description	XV Operator Interface Page V7-T39-28	XP Operator Interface Page V7-T39-31	PanelMate ePro PS Operator Interface Page V7-T39-35
Screen size	3.5 in, 5.7 in, 7.0 in, 8.4 in and 10.4 in	8.4 in, 10.4 in, 12.1 in, 15.0 in and blind node (no screen)	8 in, 10 in, 12 in, 15 in and blind node (no screen)
Screen options	Color TFT, 64k colors; resolutions from QVGA (320 x 240) to WVGA (800 x 480)	Color TFT, 16 million colors; resolutions from SVGA (800 x 600) to UVGA (1600 x 1200)	16 million color TFT; indoor and outdoor; resolutions from VGA (640 x 480) to UXGA (1600 x 1200)
Interface	Resistive touchscreen	Infrared, non-reflective safety glass	Touchscreen only
Communication ports	Ethernet, RS-232 and/or RS-485, USB	2 serial; 2 Ethernet; removable CompactFlash; 4 USB; VGA	2 serial; 1 Ethernet; 2 PCMCIA; 1 removable CompactFlash; 4 USB; VGA
Simultaneous protocols	3	5 or 8	3
Ethernet drivers	Yes	Yes	Yes
Upload/download	Serial, Ethernet, USB	Serial, Ethernet, USB	Serial, Ethernet, USB
Operating system	Windows CE 5.0 Professional	Windows XP Embedded (protected)	Windows XP Embedded (protected)
Third-party software support	—	Yes	Yes
Screen saver	Yes	Yes	Yes

Software Product Selection Guide



Description	Visual Designer	Canvas	HMIsoft	ELCSoftGP
Overview	Feature-rich software package with SCADA functionality and web serving capabilities that can be run on XV, XP, ePro PS operator interfaces or personal computers	Feature-rich software package with SCADA functionality that can be run on ePro PS operator interfaces or personal computers	Use HMI Soft to create, edit, upload and download applications to the HMI family of operator interfaces	Use ELCSoftGP to create, edit, upload and download applications to ELC Graphics Panels
Catalog ID				
Development software seat license	VISUALDCE (CE hardware) VISUALDXP5 (5-pack of VISUALDXP) VISUALDCE5 (5-pack of VISUALDCE) VISUALDXP (PCs, XPe, and CE hardware)	CANVASPRO (seat license) ① CANVASPROSL (site license) ②	HMISOFT	ELCSOFTGP
Runtime software for a PC	VISUALRTPC	CANVASPC ③	N/A	N/A
Time-Saving Editor Features				
On and off-line simulation	•	•	•	—
Macro capability	•	•	•	—
VB scripting	•	—	—	—
Math and Logic	•	•	•	—
Multi-language	•	•	•	—
System/internal variables	•	•	•	—
Auto-scale application to different resolution/ screen size	•	•	•	—
Scripting (IF, THEN, ELSE, GOTO)	•	•	•	—
Symbol factory/library	•	•	•	—
Master pages	• Screen groups	• Multiple master pages	•	—
User-created controls	•	•	—	—
Customizable application symbols	•	—	—	—
Action lists/math worksheets	•	•	• With macros	—
Reusable controls, images and pages	• Via indirect tag and/ or PLC assignments	• Index lists and client observer	—	—
Advanced search and replace	•	•	—	—
Advanced context sensitive help	•	•	—	—
Conversion of legacy PanelMate™ configurations	•	•	—	—
Optional PanelBuilder™ conversion utility	•	—	—	—
Online configuration/editing	•	—	—	—

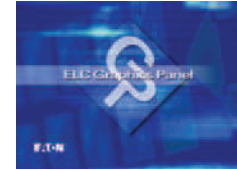
Notes

① Includes Canvas software for developing applications, runtime software for the PanelMate ePro PS Series and supporting OPC servers/drivers. Single User License on CD-ROM.

② Site License—see CANVASPRO (for all users at 1 site location).

③ Installation CD and licensing to run Canvas runtime software on a PC with Windows XP Professional, Windows Vista or Windows 7 OS. Licenses for Keyware OPC servers are included.

Software Product Selection Guide, continued



Description	Visual Designer	Canvas	HMSoft	ELCSoftGP
Runtime Features				
Clock synchronization	•	•	•	•
Sound actions or control	•	•	•	•
Security	• Advanced multi-level	• Advanced multi-level	• Multi-level	•
Pop-up screens	• And group screens	•	•	—
Animated graphics	•	•	•	—
Real-time trending	•	•	•	—
Recipes	•	•	•	—
Report generation	•	•	—	—
Timer scheduling	•	•	•	—
Calendar scheduling	•	•	—	—
Notification of data and events via e-mail/text messaging	•	•	—	—
Data archiving	•	•	•	—
Archive to shared network drive	•	•	—	—
Alarm and event archiving	•	•	—	—
Historical trending	•	—	•	—
Import/export from XML	•	•	—	—
Database interface	• ADO.net compliant	—	—	—
Vision system interfaces	•	• Cognex and DVT	—	—
Secure document and Web network browser	•	•	—	—
Remote access and control without having to install software on the remote PC	• Web Thin Client with Internet Explorer	—	—	—
Automatic scaling of web clients	•	—	—	—
Remote desktop	• With UltraVNC and RemoteClient	• With UltraVNC	—	—
Launch/control third-party applications	•	•	—	—
2-touch controls for safety	•	•	—	—
Embedded PLC logic	—	—	•	—

ELC Graphics Panels



Contents

<i>Description</i>	<i>Page</i>
ELC Graphics Panels	
Standards and Certifications	V7-T39-6
Catalog Number Selection	V7-T39-7
Product Selection	V7-T39-7
Technical Data and Specifications	V7-T39-10
Dimensions	V7-T39-11



Drawings
Online



An Eaton
Green Solution

Product Description

ELC Graphics Panels are simple to program and easily connect to ELC products. ELC graphics panels make modifying an application quick and easy and also connect to Eaton’s MVX drives, IQ Modbus® meters and many other devices. With more than 30 objects that can be placed anywhere on the display, these tough panels also communicate to other major controllers. These graphics panels have two serial ports that can be used simultaneously to communicate. Transfer applications to or from these graphics panels using the handy transfer module. Ten programmable functions keys provide easy-to-change pages, input numeric values, enter alpha-numeric passwords, set, reset and more. Create alarms, password protect, import bitmaps and use many different fonts.

Features

Protocols

Supported Protocols

Protocol

- _____ Eaton ELC
- _____ Eaton D50/D32LT, D320
- _____ Eaton MVX ASCII
- _____ Eaton MVX RTU
- _____ Modbus ASCII
- _____ Modbus RTU
- _____ Allen-Bradley DF1
- _____ Mitsubishi FX Series
- _____ Mitsubishi FX2N Series
- _____ Koyo K-Sequence
- _____ LG 200S
- _____ OMRON C-Series
- _____ Siemens S7-200 Series
- _____ ASCII Slave Mode

And more...

ELC Graphics Panel Features



Item	ELC-GP02	ELC-GP04
Display screen		
Screen	STN-LCD	STN-LCD
Color	Monochromatic	Monochromatic
Backlight	The backlight automatic turn off time is 1–99 minutes (0 = do not to turn off) (backlight life is 50 thousand hours at 25°C)	The backlight automatic turn off time is 1–99 minutes (0 = do not to turn off) (backlight life is 50 thousand hours at 25°C)
Resolution	160 x 32 pixels	128 x 64 pixels
Display range	72 mm (W) x 22 mm (H)	67 mm (W) x 32 mm (H)
Contrast adjustment	15-step contrast adjustment	10-step contrast adjustment
Language font	ASCII: characters (including European fonts) Taiwan: (BIG 5 code) traditional Chinese character font China: (GB2324-80 code) simplified Chinese character font	ASCII: characters (including European fonts) Taiwan: (BIG 5 code) traditional Chinese character font China: (GB2324-80 code) simplified Chinese character font
Font size (ASCII)	5 x 8, 8 x 8, 8 x 12, 8 x 16	5 x 8, 8 x 8, 8 x 12, 8 x 16
ALARM indication LED	1. Power-on indication (flash three times) 2. Flash for communication error or other alarm 3. Special indication by user programming	1. Power-on indication (flash three times) 2. Flash for communication error or other alarm 3. Special indication by user programming
RS-232 LED (yellow)	Flashes when communicating	Flashes when communicating
RS-485 LED (green)	Flashes when communicating	Flashes when communicating
Program memory	256KB flash memory	256KB flash memory
External interface		
Serial communication port RS-232 (COM1) 9 PIN D-SUB male	Data length: 7 or 8 bits Stop bits: 1 or 2 bits Parity: None/Odd/Even Baud rate: 4800 bps–115,200 bps	Data length: 7 or 8 bits Stop bits: 1 or 2 bits Parity: None/Odd/Even Baud rate: 4800 bps–115,200 bps
Extension communication port RS-485 (COM2) 5-pin removal terminal (RS-485 or RS-422)	Data length: 7 or 8 bits Stop bits: 1 or 2 bits Parity: None/Odd/Even Baud rate: 4800 bps–115,200 bps	Data length: 7 or 8 bits Stop bits: 1 or 2 bits Parity: None/Odd/Even Baud rate: 4800 bps–115,200 bps
Extension slot	The slot for program copy card	The slot for program copy card
Power	24 Vdc input	24 Vdc input

Standards and Certifications

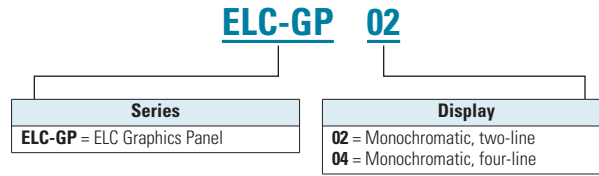
- UL 508
- cUL (CSA C22.2 No. 14)
- CE (Low Voltage Directive); Class 1 Div 2 Groups A, B, C, D
- RoHS



Catalog Number Selection

ELC-GP Graphics Panel

ELC-GP



Product Selection

ELC-GP04

Graphics Panels



Description	Catalog Number
Panels	
160 x 32 pixels, 10 function keys, monochrome	ELC-GP02
128 x 64 pixels, 10 function keys, monochrome	ELC-GP04
Spare Parts Kit	
Includes several power connectors, battery doors, gaskets, mounting clips, etc.	ELC-GPSPKIT

Software and Accessories

ELCSoftGP Programming Software

System Requirements

- Operating Systems—Windows 2000, Windows XP

ELCSoftGP Programming Software configures all ELC graphic panels. With ELCSoftGP, applications can be created, edited, downloaded and uploaded. Move programs from one controller to a different one with ease.

ELCSoftGP



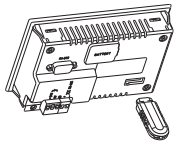
ELCSoftGP Editing Environment

Description	Catalog Number
Programming software for GP units	ELCSOFTGP

ELC-GPXFERMOD Program Transfer Module

The ELC-GPXFERMOD is a multifunction device that provides the ability to back up an application already loaded onto one of the ELC-GP units. It will store all system settings such as baud and ID, as well as passwords and the application itself. Once stored in the module, the application and settings can be transferred to another ELC-GP unit of the same model number.

ELC-GPXFERMOD



ELC-GPXFERMOD

Description	Catalog Number
Program transfer module	ELC-GPXFERMOD

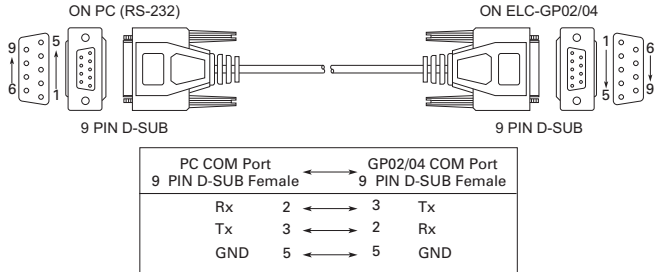
ELC-CBPCELC_

Description	Catalog Number
1 meter cable to connect between the HMI and Eaton Logic Controller (ELC)	ELC-CBPCELC1
3 meter cable to connect between the HMI and Eaton Logic Controller (ELC)	ELC-CBPCELC3

ELC-CBPCGP3 Cable

Use this cable to download or upload applications between a PC and the ELC-GP graphics panels. This cable can also be used to transfer a program from an ELC-GP to another ELC-GP.

Pin definition of 9 PIN D-SUB RS-232:




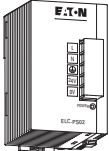
PC to ELC-GPxx Cable

Description	Catalog Number
Cable, PC to ELC-GP, 9.8 ft (3m)	ELC-CBPCGP3

Power Supplies

All ELC modules operate from 24 Vdc. These power supplies provide a convenient way to provide robust DC voltage.

ELC Power Supplies

	Description	Catalog Number
	Power supply, 24 watt, 1 amp	ELC-PS01
	Power supply, 48 watt, 2 amp	ELC-PS02

Technical Data and Specifications

ELC Graphics Panels

Description	Specification
Environmental	
Transportation and storage	
Temperature	−4° to 140°F (−20° to 60°C)
Operating	
Temperature	32° to 122°F (0° to 50°C)
Humidity	20–90% RH (non-condensing)
Communication interface	COM1: RS-232; COM2: RS-485/RS-422
Vibration	0.5 mm displacement, 10–55 Hz, X, Y, Z three directions and two hours for each direction
Impact	10G, 11 ms, from X, Y, Z three directions and three times for each direction
Weight	0.53 lbs (0.24 kg)
Cooling method	Natural air cooling
Electrical/EMC Approvals	
Electrostatic discharge immunity	EN61000-4-2/1995
Radiated immunity	EN61000-4-3/1995
Electrical fast transient	EN61000-4-4/1995
Radiated emission	CISPR22, Class A
Other Approvals	
Waterproof class of front panel	UL Type 4X outdoor rated
UV resistant	UL 746C

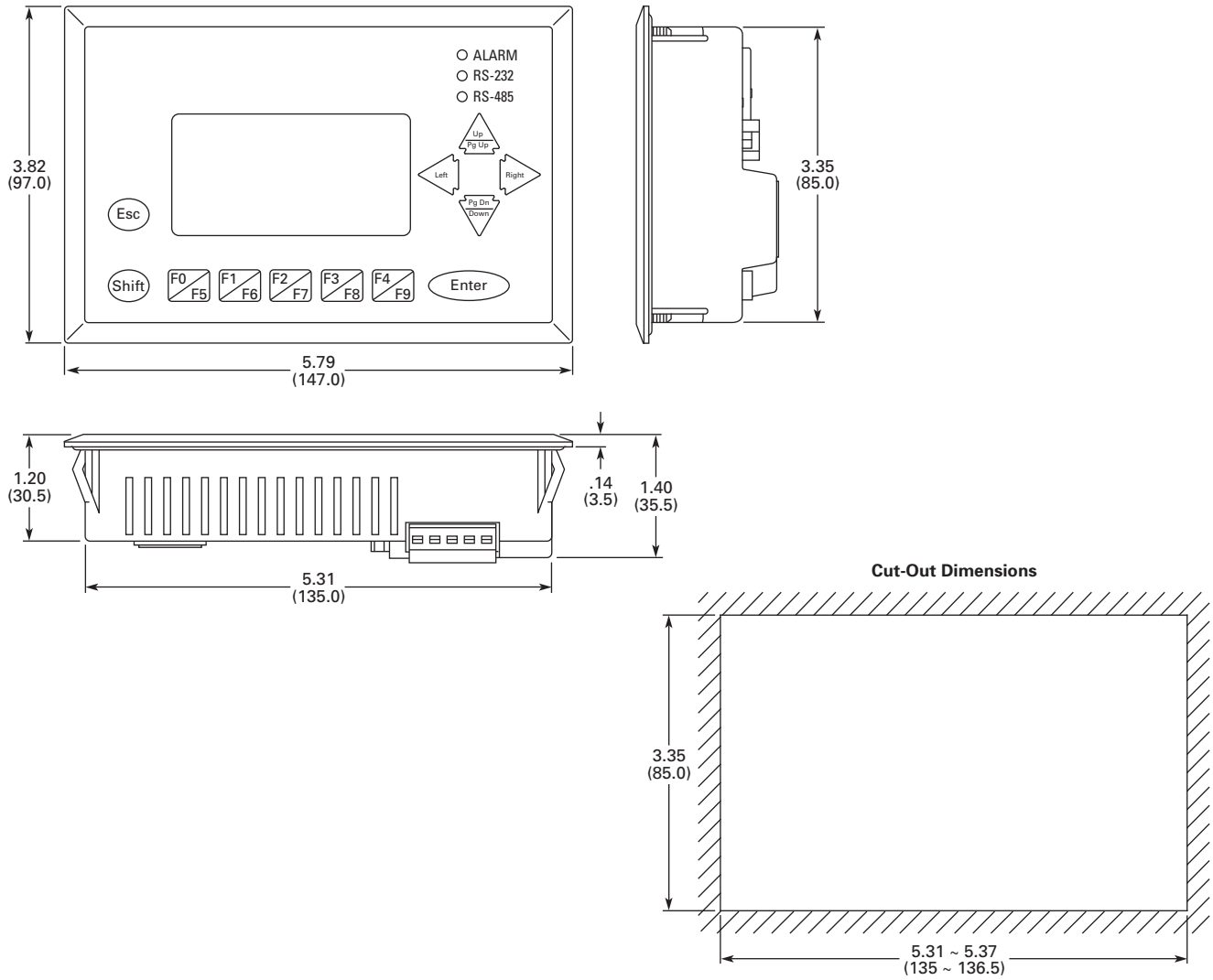
ELC Power Supply

Item	ELC-PS01	ELC-PS02
Dimensions W x H x D in inches (mm)	1.44 x 3.54 x 2.36 (36.5 x 90 x 60)	2.17 x 3.54 x 2.36 (55 x 90 x 60)
Input power	100–240 Vac 50/60 Hz	100–240 Vac 50/60 Hz
Output volts	24 Vdc	24 Vdc
Output current (A)	1A	2A
Watts	24	48

Dimensions

Approximate Dimensions in Inches (mm)

ELC-GP04



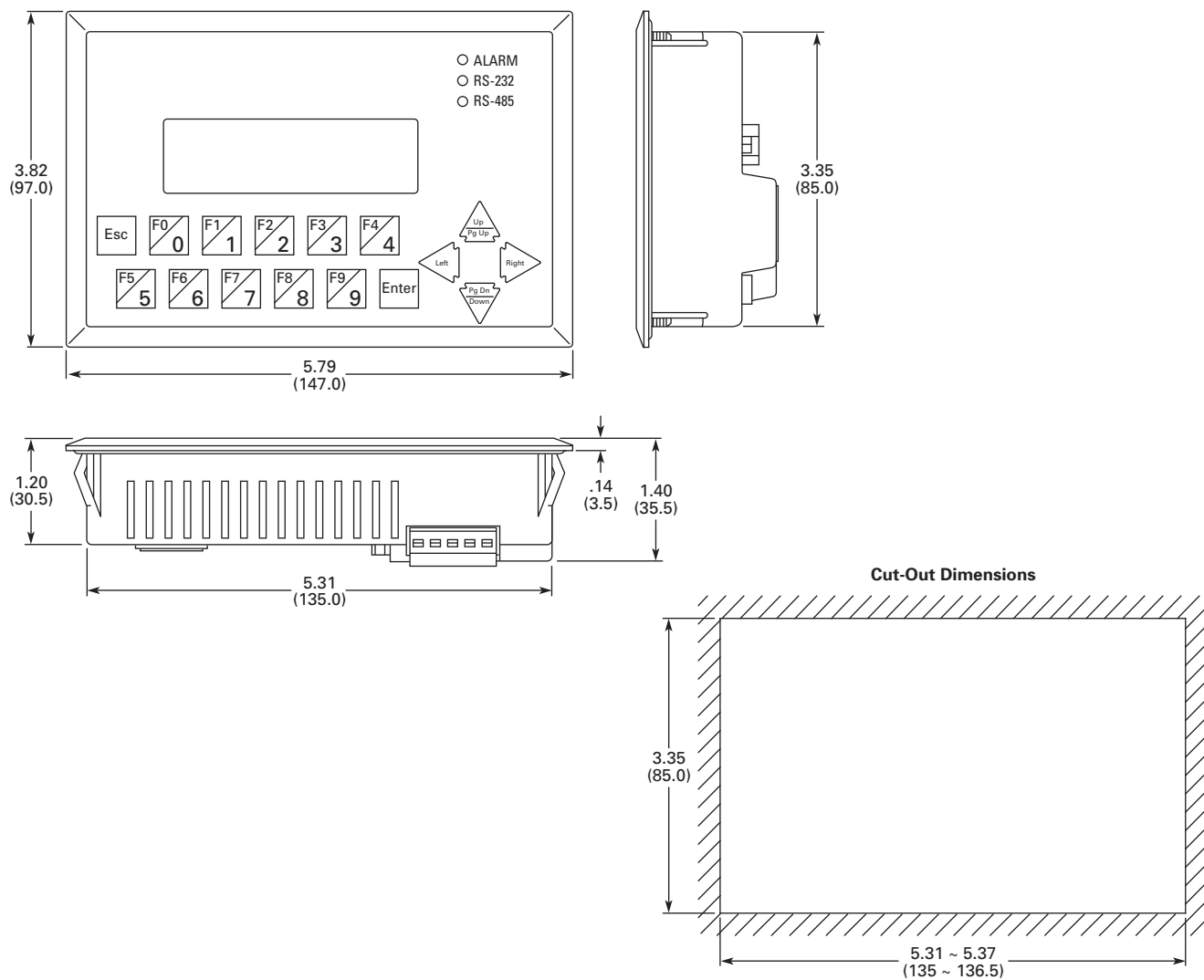
39.2 Operator Interface Products

ELC Graphics Panels

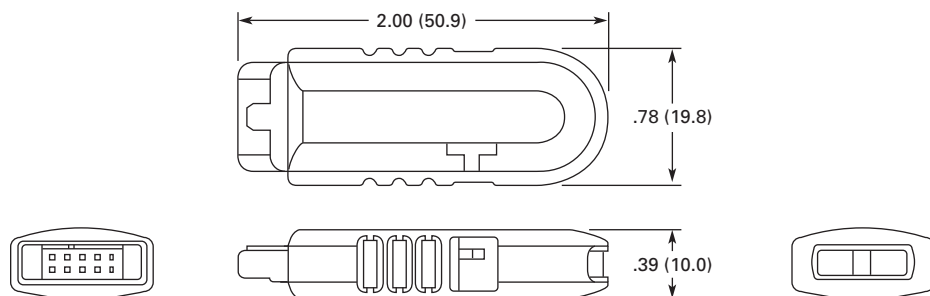
Approximate Dimensions in Inches (mm)

ELC-GP02

39



ELC-GPXFERMOD



HMi Operator Interface



Contents

Description

Page

HMi Operator Interface

Features	
Protocols	V7-T39-14
Standards and Certifications	V7-T39-14
Catalog Number Selection	V7-T39-15
Product Selection	V7-T39-15
Technical Data and Specifications	V7-T39-19
Dimensions	V7-T39-23



Product Description

Positioned between the ELC graphics panels and the XV series of operator interfaces, **HMi** is the workhorse of the industry. The units feature touchscreen and function buttons to suit all environments and applications. They range in screen size and color to fit available space and application needs. All units offer RS-232, RS-485 and RS-422 communications. The 6, 8 and 10 inch units also offer Ethernet communication options.

Features

- Analog touchscreen
- Auto-scale application from 10 to 4 inch
- Screen saver
- Pop-up screens
- Animated graphics
- Conditional visibility
- Clock synchronization
- Data archiving
- Multi-language
- Eight levels of security
- Embedded logic for use with local I/O
- Ethernet communication drivers
- Ethernet, COMM port and USB upload/download
- USB ports for data storage
- Three serial ports
- Up to four simultaneous protocols
- Math and logic functions
- Recipes
- Macro capability
- Alarm/event recording and viewing
- Real-time and historical trending
- On and off-line simulation

Protocols

Supported Protocols

Manufacturer and Protocol
Allen-Bradley
MicroLogix
SLC 5
Cimon
BP Series Loader Protocol
CP Series Loader Protocol
XP Series Loader Protocol
Copley
Stepnet
Danfoss
VLT 2800 (FC Protocol)
Delta
Delta DVP PLC
Delta DVP EH/SA ES/EX/SS (V5.1)
Delta Controller ASCII
Delta Controller RTU
Delta DVP TCP/IP
Eaton
ELC Series Serial
ELC Series TCP/IP
GVX—RTU
GVX—ASCII
MXV—RTU
MXV—ASCII
NFX—RTU
NFX—ASCII
Eaton Controller ASCII
Eaton Controller RTU
EasyPLC 800/MFD (EasyCom)
Emerson
EC20 Series
Facon
FB Series

Manufacturer and Protocol
Festo
Festo PLC
FuFeng
APC
Fuji Electric
Frenic Inverter
GE Fanuc
Series 90 SNP
Hitachi
EH Series Procedure 1
EH Series Procedure 2
Hust
Hust CNC Controller
Hust CNC Controller v2
IDEC
Micro Smart
Jetter
JC Series
Nano Series
Keyence
KV/KZ Series
Koyo
DL/SU Series
K-Sequence
Lenze
LECOM-A/B Protocol
LG
Master-K 120S/200S
Glofa GM6 CNET
Master-K CNET
XGT CNET
LiYan
LYPLC EX

Manufacturer and Protocol
M2i
M2i Master
M2i Slave
Matsushita
FP Series
Mirle
FAMA SC
Mitsubishi
FX Series
FX2N
FX3U
FX Series Computer Link
A Series/J71UC24
A2A/A2AS/A2USH
A1SH/A3N/A2ASH CPU Port
Q Series CPU Port
Q Series Computer Link
J2s Series
MKS
BY125
CT150
MC700/720
Modbus
ASCII (Master)
984 RTU (Master)
RTU 2W (Master)
ASCII Hex Address (Master)
RTU Hex Address (Master)
ASCII nW (Master)
RTU nW (Master)
ASCII (Slave)
RTU (Slave)
TCP/IP

Manufacturer and Protocol
Modicon
TSX Micro (Uni-Telway)
TSX Premium (Uni-Telway 1-1)
NEZA (Uni-Telway)
TWIDO
Moeller
PS3 Series
PS4 Series
NIKKI DENSO
NCS-FI/FS Series
Omron
C Series
CJ1 Series
TPM1A
Parker
Compax 3
SIEMENS
S7 200
S7 300 (with PC Adaptor)
S7 300 (without PC Adaptor)
S7 300 (Direct MPI)
S7 300 (ISO TCP)
Taian
TP02
Ti
Ti435
Vigor
M Series
VIPA
S7 300 (with PC Adaptor)
YOKOGAWA
ACE

Standards and Certifications

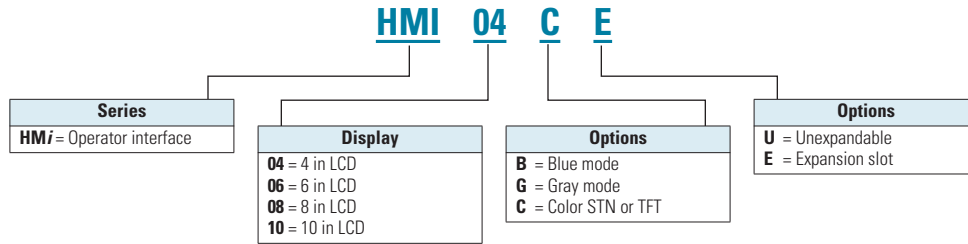
- CE
- UL
- cUL
- C-Tick
- RoHS



Catalog Number Selection

HMI Operator Interface

HMI



Product Selection

Ordering Information

For blank bezel (Eaton logo removed), add suffix **-B**.
Example: HMI04BU-**B**.

For blank bezel with function buttons, add suffix **-BF**.
Example: HMI06CE-**BF**.

Contact factory for custom bezel.

HMI_

HMI Products



Description	Catalog Number
4 in blue mode touchscreen	HMI04BU
4 in color TFT touchscreen	HMI04CU
6 in blue mode with expansion slot	HMI06BE
6 in gray scale mode with expansion slot	HMI06GE
6 in color STN with expansion slot	HMI06CE
6 in color TFT touchscreen	HMI06CU
8 in color TFT with expansion slot	HMI08CE
10 in color TFT with expansion slot	HMI10CE

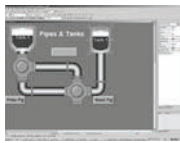
Software and Accessories

HMISOFT Programming Software

For use with the **HMI** series of touchscreens, this software supports all of the features of **HMI** models. This easy to use Windows based software can run on Windows 2000, XP, Vista, and Windows 7 with a minimum CPU of Pentium III 500 MHz, 256 MB RAM, 500 MB free hard disk space.

- Simulate an application on or off line
- Built in picture library
- Create your own picture library
- Screen manager
- Over 70 on-screen objects
- Easy object setup
- Monitor all states of objects
- Macro editing
- Scale application from 10 to 4 inches
- Upload/download applications over USB, serial, or Ethernet
- Store archived data, alarms, and events to USB
- Logic configuration for I/O expansion modules
- Ethernet communications

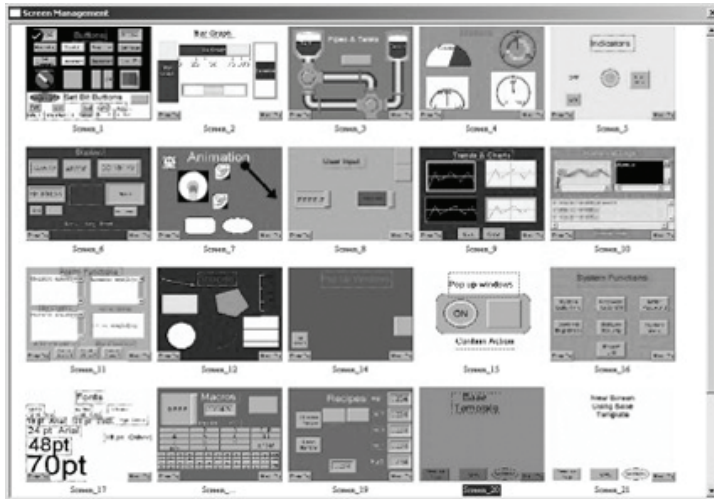
HMI Editor



HMI Editor

Description	Catalog Number
HMI programming software	HMISOFT

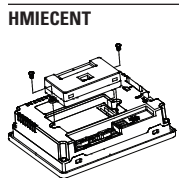
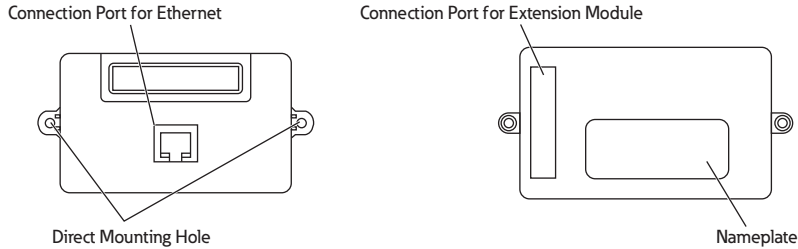
HMI Screen Management



Ethernet Expansion Module

The HMIECENT expansion module adds 10/100 Ethernet communications when plugged into the expansion slot of a 6, 8 or 10 inch **HMi** unit. Upload and download programs and communicate to other supported Ethernet devices listed in the Supported Protocols table. No need to distinguish between patch or crossover cables because this module auto-detects and adjusts for proper operation.

Product Outline



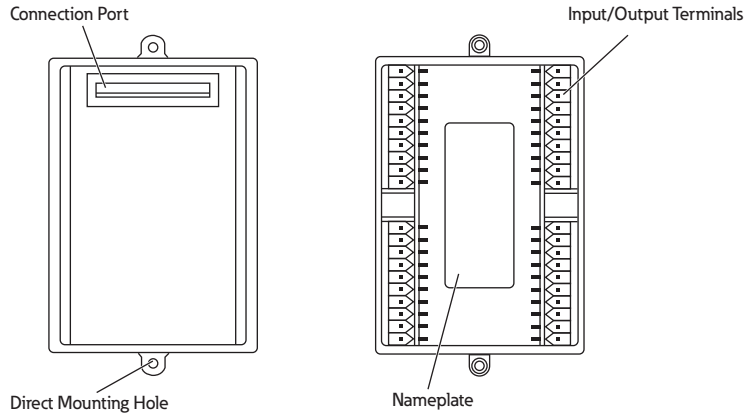
HMIECENT

Description	Catalog Number
Ethernet expansion module	HMIECENT

I/O Expansion Modules

The HMIEC0806 and HMIEC1612 are 14 and 28 discrete I/O expansion modules providing eight DC inputs and six relay outputs or 16 DC inputs and 12 relay outputs. These modules plug into the available expansion slot on the back of the **HMi** unit (not available on the four inch model). No need for a separate PLC controller with this built in unit. Combine operator interface and logic into a single platform—use HMISOFT to build both the ladder logic and OI program.

Product Outline



I/O Expansion Modules

Power	Input Unit		Output Unit		Catalog Number
	Point	Type	Point	Type	
5 Vdc supplied by HMi	8	DC Type sink or source	6	Relay	HMIEC0806
	16		12	Relay	HMIEC1612

HMIEC_

Description	Catalog Number
I/O expansion module, 8 in/6 out	HMIEC0806
I/O expansion module, 16 in/12 out	HMIEC1612

Adapter Plate

Description	Catalog Number
6 in HMI adapter plate for PM1000	APPM1HMI6

Kits

Description	Catalog Number
8 in anti-glare overlay kit (5/kit)	17AGT
10 in anti-glare overlay kit (5/kit)	39AG
HMI spare parts kits (includes several power connectors, battery doors, gaskets, mounting clips, etc.)	HMI-SPKIT

Replacement Gaskets

Description	Catalog Number
4 in HMI replacement gasket (2/kit)	HMI04-GASKET
6 in HMI replacement gasket (2/kit)	HMI06-GASKET
8 in HMI replacement gasket (2/kit)	HMI08-GASKET
10 in HMI replacement gasket (2/kit)	HMI10-GASKET

Cable

Description	Catalog Number
1 meter cable to connect between the HMI and Eaton Logic Controller (ELC)	ELC-CBPCELC1
3 meter cable to connect between the HMI and Eaton Logic Controller (ELC)	ELC-CBPCELC3

Power Supply

Description	Catalog Number
1 amp 24 Vdc power supply	ELC-PS01
2 amp 24 Vdc power supply	ELC-PS02

Technical Data and Specifications

HMI Operator Interface

Description	Specification HMI04BU	HMI04CU	HMI06BE	HMI06GE
Display type	STN	TFT LCD	STN	FSTN
Display color	8 blues	65536 colors	8 blues	16 grays
Screen pixels	320 x 240 pixels	320 x 240 pixels	320 x 240 pixels	320 x 240 pixels
NIT rating	100 cd/m ²	300 cd/m ²	130 cd/m ²	130 cd/m ²
LCD module	LED backlight	LED backlight	CCFL backlight	CCFL backlight
Backlight life	10,000 hours half-life at 25°C ^①	30,000 hours half-life at 25°C ^①	50,000 hours half-life at 25°C ^①	50,000 hours half-life at 25°C ^①
Display size	3.8 in (78.8 x 59.6 mm)	3.5 in (70.1 x 52.6 mm)	5.7 in (118.2 x 89.4 mm)	5.7 in (118.2 x 89.4 mm)
Operating system	Real Time OS	Real Time OS	Real Time OS	Real Time OS
MCU	32-bit RISC micro-controller/206.4 MHz			
Memory Program	1M	3M	3M	3M
History	120K	120K	360K	360K
Recipe	64K ^②	64K ^②	128K	128K
Alarm	4K	4K	16K	16K
Data registers				
Volatile	64K	64K	64K	64K
Non-volatile	1K	1K	1K	1K
Backup memory (bytes)	128K	128K	512K	512K
USB host ^③	✓	✓	—	—
Expansion port	✓	✓	—	—
USB client for programming	✓	✓	✓	✓
Serial COM port				
COM1	RS-232	RS-232	RS-232	RS-232
COM2	RS-422/RS-485	RS-422/RS-485	RS-232/RS-422/RS-485	RS-232/RS-422/RS-485
COM3	RS-232	RS-232	RS-232/RS-422/RS-485	RS-232/RS-422/RS-485
Function key	4 user defined keys + 1 system key	4 user defined keys + 1 system key	4 user defined keys + 1 system key	4 user defined keys + 1 system key
Perpetual calendar (RTC)	Built-in	Built-in	Built-in	Built-in
Cooling method	Natural air circulation	Natural air circulation	Natural air circulation	Natural air circulation
Enclosure ratings	IP65/NEMA 4X (indoor only)	IP65/NEMA 4X (indoor only)	IP65/NEMA 4X (indoor only)	IP65/NEMA 4X (indoor only)
Agency certifications	CE/UL/cUL/C-Tick	CE/UL/cUL/C-Tick	CE/UL/cUL/C-Tick	CE/UL/cUL/C-Tick
Operating voltage	DC +24V (–10% to +15%) (use isolated power supply) ^④			
Power consumption ^⑤	2.64W	3.36W	7.2W	7.2W
Operating temp.	32° to 122°F (0° to 50°C)	32° to 122°F (0° to 50°C)	32° to 122°F (0° to 50°C)	32° to 122°F (0° to 50°C)
Storage temp.	–4° to 140°F (–20° to 60°C)	–4° to 140°F (–20° to 60°C)	–4° to 140°F (–20° to 60°C)	–4° to 140°F (–20° to 60°C)
Ambient humidity	10% to 90% RH (0° to 40°C), 10% to 55% RH (41° to 50°C) pollution degree 2			
Shock	30G at 11 ms	30G at 11 ms	30G at 11 ms	30G at 11 ms
Vibration resistance	IEC61131-2 compliant 5 Hz ≤ f < 9 Hz = continuous: 1.75 mm/occasional: 3.5 mm 9 Hz ≤ f < 150 Hz = continuous: 0.5g/occasional: 1.0g X, Y, Z directions for 10 times			
Backup battery	3V lithium battery CR2032 x 1/battery life: 5 years			
Backup battery life	Three years or more at 25°C	Three years or more at 25°C	Three years or more at 25°C	Three years or more at 25°C
Buzzer	Multitone frequency (2K to 4K Hz)/85dB			
Dimensions (W) x (H) x (D) in inches (mm)	5.54 x 4.13 x 1.76 (140.8 x 104.8 x 44.8)	5.54 x 4.13 x 1.76 (140.8 x 104.8 x 44.8)	7.25 x 5.67 x 1.85 (184.1 x 144.1 x 47)	7.25 x 5.67 x 1.85 (184.1 x 144.1 x 47)
Panel cutout (W) x (H) in inches (mm)	4.68 x 3.65 (118.8 x 92.8)	4.68 x 3.65 (118.8 x 92.8)	6.79 x 5.21 (172.4 x 132.4)	6.79 x 5.21 (172.4 x 132.4)
Weight in lbs (kg)	0.69 (0.315)	0.62 (0.310)	1.69 (0.768)	1.69 (0.768)

Notes

- ① The half-life of backlight is defined as original luminance being reduced by 50% when the maximum driving current is supplied to **HMI**.
The life of LED backlight shown is an estimated value under 25°C normal temperature and humidity conditions.
- ② Program memory is used for recipes.
- ③ USB Host port can provide up to 5V/500mA of power. Supports USB memory devices and certain USB printers.
- ④ Use isolated power supply (not applicable for HMI08CE and HMI10CE).
- ⑤ The value of the power consumption indicates the electrical power consumed by **HMI** without peripheral devices.
In order to ensure the normal operation, it is recommended to use a power supply which the capacity is 1.5 to 2 times the value of the power consumption.

HMI/Operator Interface, continued

Description	Specification HMI06CE	HMI06CU	HMI08CE	HMI10CE
Display type	STN	TFT LCD	TFT LCD	TFT LCD
Display color	256 colors	65536 colors	65536 colors	65536 colors
Screen pixels	320 x 240 pixels	320 x 240 pixels	640 x 480 pixels	640 x 480 pixels
NIT rating	100 cd/m ²	200 cd/m ²	400 cd/m ²	330 cd/m ²
LCD module	CCFL backlight	LED backlight	CCFL backlight	2CCFL backlight
Backlight life	50,000 hours half-life at 25°C ①	50,000 hours half-life at 25°C ①	50,000 hours half-life at 25°C ①	50,000 hours half-life at 25°C ①
Display size	5.7 in (118.2 x 89.4 mm)	5.6 in (113.3 x 84.7 mm)	8 in (162.2 x 121.7 mm)	10.4 in (215.2 x 162.4 mm)
Operating system	Real Time OS	Real Time OS	Real Time OS	Real Time OS
MCU	32-bit RISC micro-controller/206.4 MHz	32-bit RISC micro-controller/266 MHz	32-bit RISC micro-controller/206.4 MHz	32-bit RISC micro-controller/206.4 MHz
Memory				
Program	3M	7M	7M	7M
History	360K	125K ②	360K	360K
Recipe	128K	128K	128K	128K
Alarm	16K	125K ②	16K	16K
Data registers				
Volatile	64K	64K	64K	64K
Non-volatile	1K	1K	1K	1K
Backup memory (bytes)	128K	128K	512K	512K
USB host ③	—	✓	✓	✓
Expansion port	✓	—	✓	✓
USB client for programming	✓	✓	✓	✓
Serial COM port				
COM1	RS-232	RS-232	RS-232	RS-232
COM2	RS-232/RS-422/RS-485	RS-232/RS-485	RS-232/RS-422/RS-485	RS-232/RS-422/RS-485
COM3	RS-232/RS-422/RS-485	RS-422/RS-485	RS-232/RS-422/RS-485	RS-232/RS-422/RS-485
Function key	4 user defined keys + 1 system key	N/A	6 user defined keys + 1 system key	7 user defined keys + 1 system key
Perpetual calendar (RTC)	Built-in	Built-in	Built-in	Built-in
Cooling method	Natural air circulation	Natural air circulation	Natural air circulation	Natural air circulation
Enclosure ratings	IP65/NEMA 4X (indoor only)	IP65/NEMA 4X (indoor only)	IP65/NEMA 4X (indoor only)	IP65/NEMA 4X (indoor only)
Agency certifications	CE/UL/cUL/C-Tick	CE/UL/cUL/C-Tick	CE/UL/cUL/C-Tick	CE/UL/cUL/C-Tick
Operating voltage	DC +24V (–10% to +15%) (use isolated power supply) ④			
Power consumption ⑤	7.2W	3.0W	14W	15W
Operating temp.	32° to 122°F (0° to 50°C)	32° to 131°F (0° to 55°C)	32° to 122°F (0° to 50°C)	32° to 122°F (0° to 50°C)
Storage temp.	–4° to 140°F (–20° to 60°C)	–4° to 140°F (–20° to 60°C)	–4° to 140°F (–20° to 60°C)	–4° to 140°F (–20° to 60°C)
Ambient humidity	10% to 90% RH (0° to 40°C), 10% to 55% RH (41° to 50°C) pollution degree 2			
Shock	30G at 11 ms	30G at 11 ms	30G at 11 ms	30G at 11 ms
Vibration resistance	IEC61131-2 compliant 5 Hz ≤ f < 9 Hz = continuous: 1.75 mm/occasional: 3.5 mm 9 Hz ≤ f < 150 Hz = continuous: 0.5g/occasional: 1.0g X, Y, Z directions for 10 times			
Backup battery	3V lithium battery CR2032 x 1/battery life: 5 years			
Backup battery life	3 years or more at 25°C	3 years or more at 25°C	3 years or more at 25°C	3 years or more at 25°C
Buzzer	Multitone frequency (2K to 4K Hz)/85dB			
Dimensions	7.25 x 5.67 x 1.85	7.25 x 5.67 x 1.85	9.57 x 7.01 x 2.06	11.70 x 8.74 x 2.01
(W) x (H) x (D) in inches (mm)	(184.1 x 144.1 x 47)	(184.1 x 144.1 x 47)	(243.1 x 178.1 x 52.4)	(297.1 x 222.1 x 51.1)
Panel cutout	6.79 x 5.21	6.79 x 5.21	9.11 x 6.55	11.23 x 8.28
(W) x (H) in inches (mm)	(172.4 x 132.4)	(172.4 x 132.4)	(231.4 x 166.4)	(285.2 x 210.2)
Weight in lbs (kg)	1.69 (0.768)	1.48 (0.670)	2.52 (1.147)	3.79 (1.721)

Notes

① The half-life of backlight is defined as original luminance being reduced by 50% when the maximum driving current is supplied to **HMI**.

The life of LED backlight shown is an estimated value under 25°C normal temperature and humidity conditions.

② A total of 125K Bytes of memory is shared for History and Alarms.

③ USB Host port can provide up to 5V/500mA of power. Supports USB memory devices and certain USB printers.

④ Use isolated power supply (not applicable for HMI08CE and HMI10CE).

⑤ The value of the power consumption indicates the electrical power consumed by **HMI** without peripheral devices.

In order to ensure the normal operation, it is recommended to use a power supply which the capacity is 1.5 to 2 times the value of the power consumption.

HMIEC0806/HMIEC1612

Description	Specification	Remark
Control method	Stored program, cyclic scan system	—
I/O processing method	Batch I/O (refresh)	Immediate refresh command available only with I/O of the MPU
Execution speed	Basic command (30 μs)	Application command (30 ~ hundreds μs)
Program language	Commands + ladder diagram + SFC	Step commands included
Program capacity	999 Steps	Built-in EEPROM
Commands	Basic commands: 32 (including the STL commands)	Application commands: 59
Step relay (latched)		
General step point	128 points	S0 ~ S127
Auxiliary relay		
General	1024 points	M0 ~ M511, M768 ~ M999, 744 points; M1000 ~ M1279, 280 points ①
Latched	256 points	M512 ~ M767
Timer		
Digital	64 points	T0 ~ T63 (100 ms time base)
	63 points	T64 ~ T126 (10 ms time base)
	1 point	T127 (1 ms time base)
Counter		
General	112 points	C0 ~ C111
Latched	16 points	C112 ~ C127
32 bit	13 points	C235, C236, C237, C238, C241, C242, C244, C246, C247, C249, C251, C252, C254 (all latched)
Data register		
General	408 points	D0 ~ D407
Latched	192 points	D408 ~ D599
Pointer		
P	64 points	P0 ~ P63
Index register		
E/F	2	E, F
Constant		
Decimal K	16 bit: -32768 ~ +32767	32 bit: -2147483648 ~ +2147483647
Hexadecimal H	16 bit: 0000 ~ FFFF	32 bit: 00000000 ~ FFFFFFFF
Self diagnosis/protection	I/O check, system execution timeout check, invalid command check, program check and password settings	
Monitor/debug	Program execution time display, bit / word, device settings	
Certifications	C-Tick, cULus, CE	

Note

① M1000, M1001, M1002, M1003, M1020, M1021, M1022, M1067, M1068, and M1161 are the special auxiliary relays (special M).

HMIEC0806/HMIEC1612, continued

Description	Specification	
	HMIEC0806	HMIEC1612
Power supply voltage	5 Vdc, 1A (supplied by HMI)	5 Vdc, 1A (supplied by HMI)
Power consumption	0.25W	0.5W
Noise immunity RS, CS, ESD, and EFT	Frequency: 80 MHz ~ 1 GHz, 1.4 GHz ~ 2.0 GHz, test level 10 V/m Frequency: 0.15 MHz ~ 80 MHz, test level 10V (HMI power port and I/O line) Air discharge ±8 kV	Frequency: 80 MHz ~ 1 GHz, 1.4 GHz ~ 2.0 GHz, test level 10 V/m Frequency: 0.15 MHz ~ 80 MHz, test level 10V (HMI power port and I/O line) Air discharge ±8 kV
Surge	±1.5 kV (HMI power port), ±1 kV (I/O line) ±2 kV (HMI power port)	±1.5 kV (HMI power port), ±1 kV (I/O line) ±2 kV (HMI power port)
Ambient temperature/humidity	Operation: 0°C to 50°C (temperature), 10 to 90% (humidity) Storage: -40°C to 85°C (temperature), 10 to 90% (humidity)	Operation: 0°C to 50°C (temperature), 10 to 90% (humidity) Storage: -40°C to 85°C (temperature), 10 to 90% (humidity)
Vibration/shock	IEC 61131-2 Compliant 5 Hz ≤ f < 9 Hz = Continuous: 1.75 mm / Occasional: 3.5 mm 9 Hz ≤ f ≤ 150 Hz = Continuous: 0.5g / Occasional: 1.0g X, Y, Z directions for 10 times	IEC 61131-2 Compliant 5 Hz ≤ f < 9 Hz = Continuous: 1.75 mm / Occasional: 3.5 mm 9 Hz ≤ f ≤ 150 Hz = Continuous: 0.5g / Occasional: 1.0g X, Y, Z directions for 10 times
Weight	95.5g	116g
Input Point Electric Specifications		
Input type	DC (SINK or SOURCE)	DC (SINK or SOURCE)
Input voltage	24 Vdc (5mA)	24 Vdc (5mA)
Active level	Off → On, above 16 Vdc On → Off, below 14.4 Vdc	Off → On, above 16 Vdc On → Off, below 14.4 Vdc
Response time	Approx. 10 ms	Approx. 10 ms
Output Point Electric Specifications		
Output type	Relay-R	Relay-R
Current specifications	1.5A/1 point (5A/COM)	1.5A/1 point (5A/COM)
Voltage specifications	250 Vac, below 30 Vdc	250 Vac, below 30 Vdc
Maximum loading	75 VA (inductive), 90W (resistive)	75 VA (inductive), 90W (resistive)
Response time	Approx. 10 ms	Approx. 10 ms
Mechanical life	2–107 times (without load)	2–107 times (without load)
Electrical life	100,000 times (3A 250 Vac/30 Vdc) 6,000 times (5A 250 Vac/30 Vdc)	100,000 times (3A 250 Vac/30 Vdc) 6,000 times (5A 250 Vac/30 Vdc)

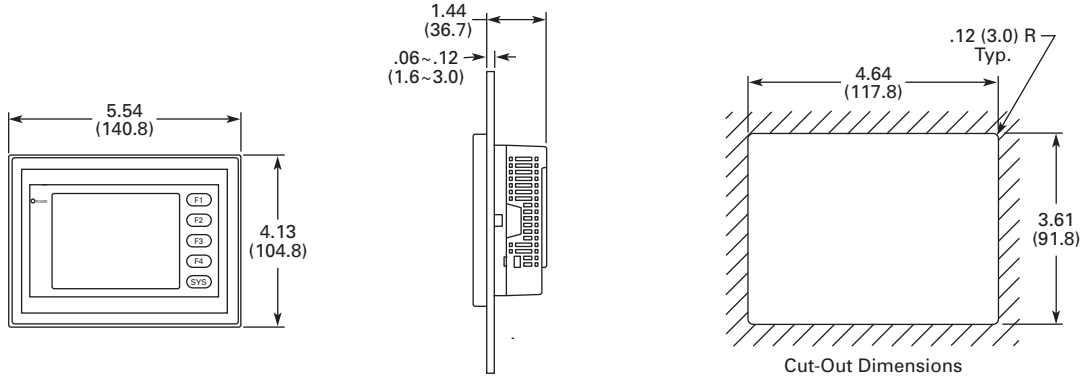
HMIECENT

Description	Specification
Power supply voltage	5 Vdc ±10%, 1A (provided by HMI)
Interfaced supported	RJ-45 with auto MDI/MDIX
Number of ports	1
Transmission method (standard conformance)	IEEE 802.3, IEEE 802.3u
Transmission cable	Category 5e (TIA/EIA-568-A, TIA/EIA-568-B)
Transmission speed	10/100 Mbps auto detection
Ethernet protocol	ICMP, IP, TCP, UDP, DHCP, Modbus TCP
Noise immunity	ESD (IEC 61131-2, IEC 61000-4-2): 8 kV air discharge EFT (IEC 61131-2, IEC 61000-4-4): Power line: 2 kV, Communication I/O: 1 kV Damped-oscillatory wave: Power line: 1 kV, digital I/O: 1 kV RS (IEC 61131-2, IEC 61000-4-3): 26MHz ~ 1GHz, 10V/m
Certifications	C-Tick, cULus, CE

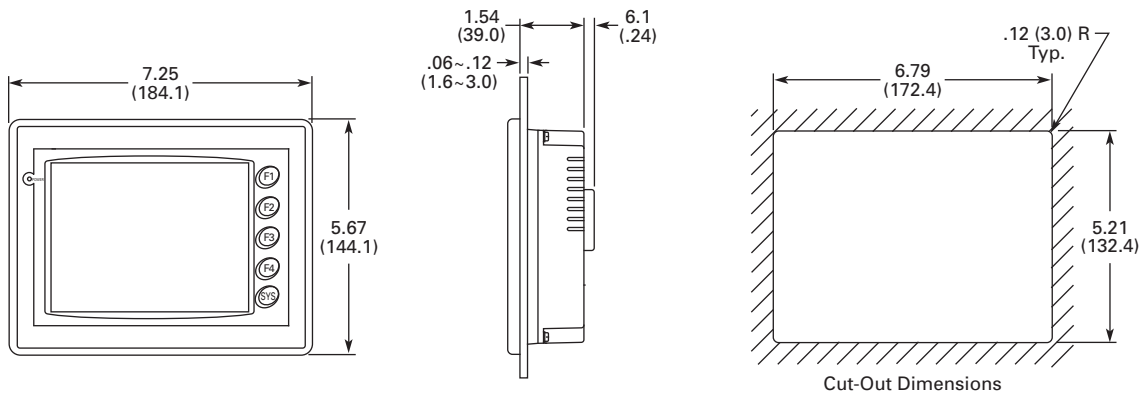
Dimensions

Approximate Dimensions in Inches (mm)

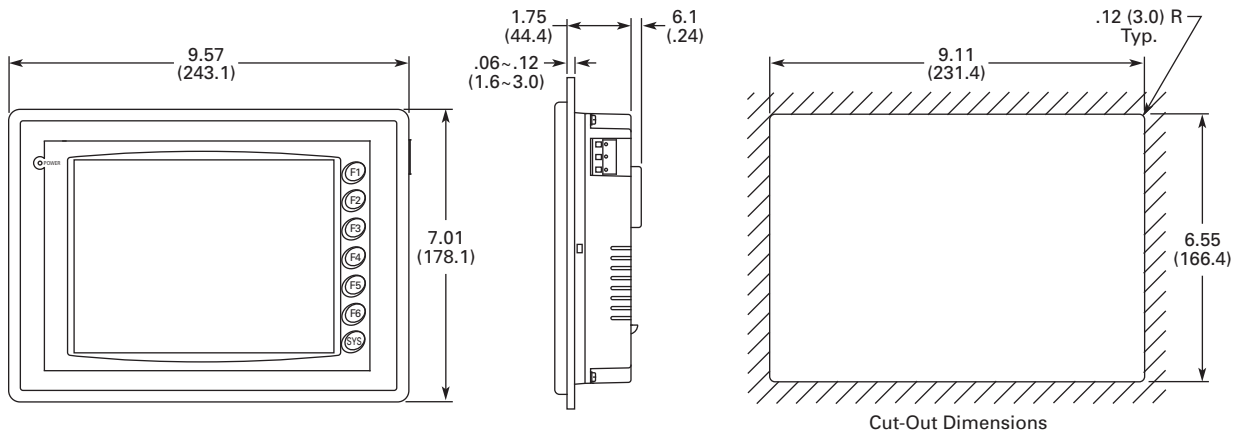
HMI04



HMI06 ①



HMI08CE



Note

① HMI06CU does not have function buttons.

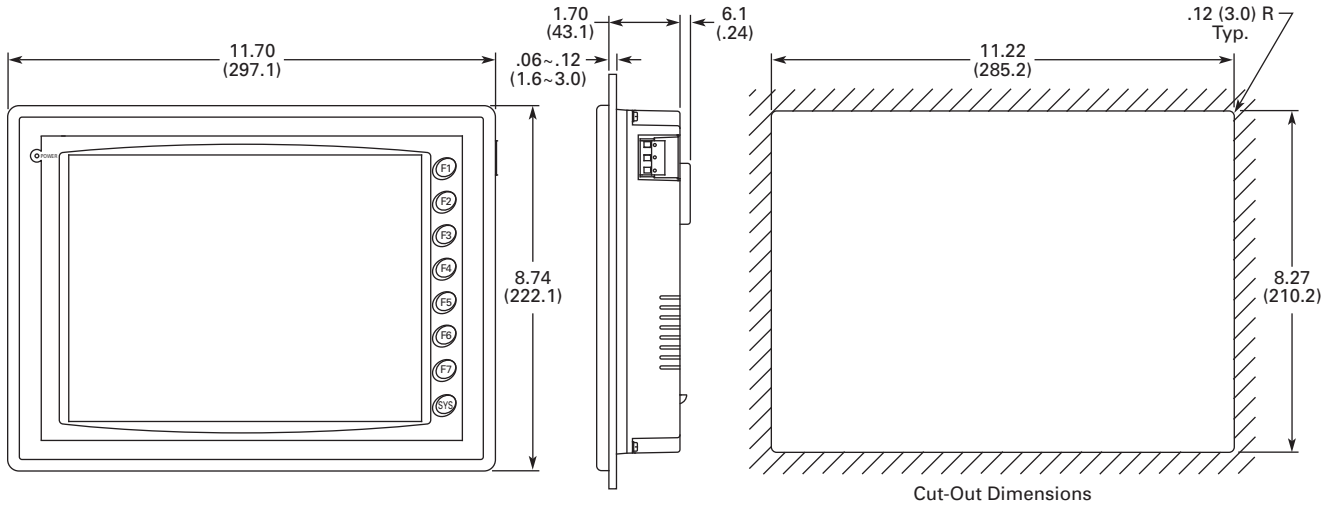
39.3 Operator Interface Products

HMI/Operator Interface

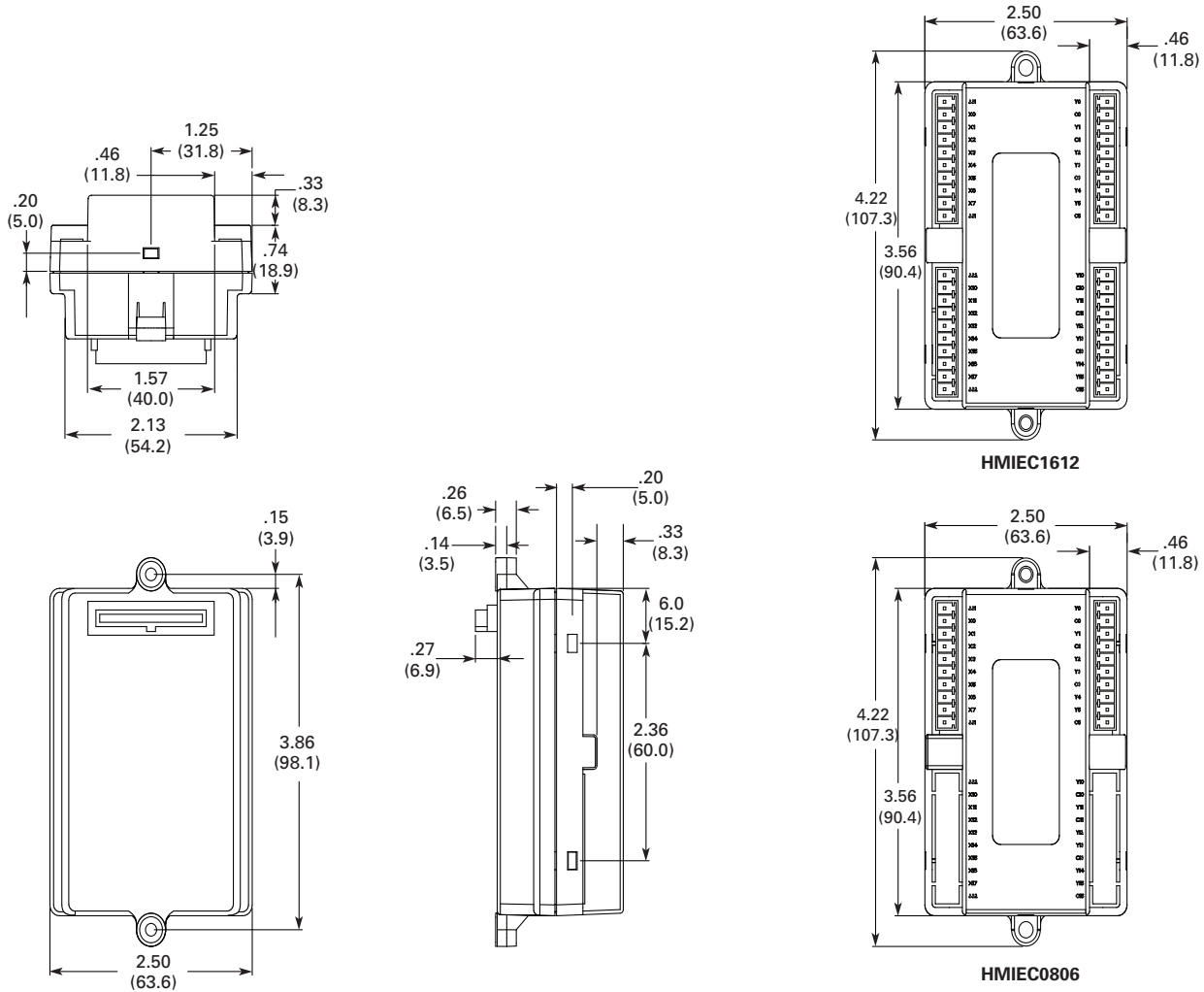
Approximate Dimensions in Inches (mm)

HMI10CE

39

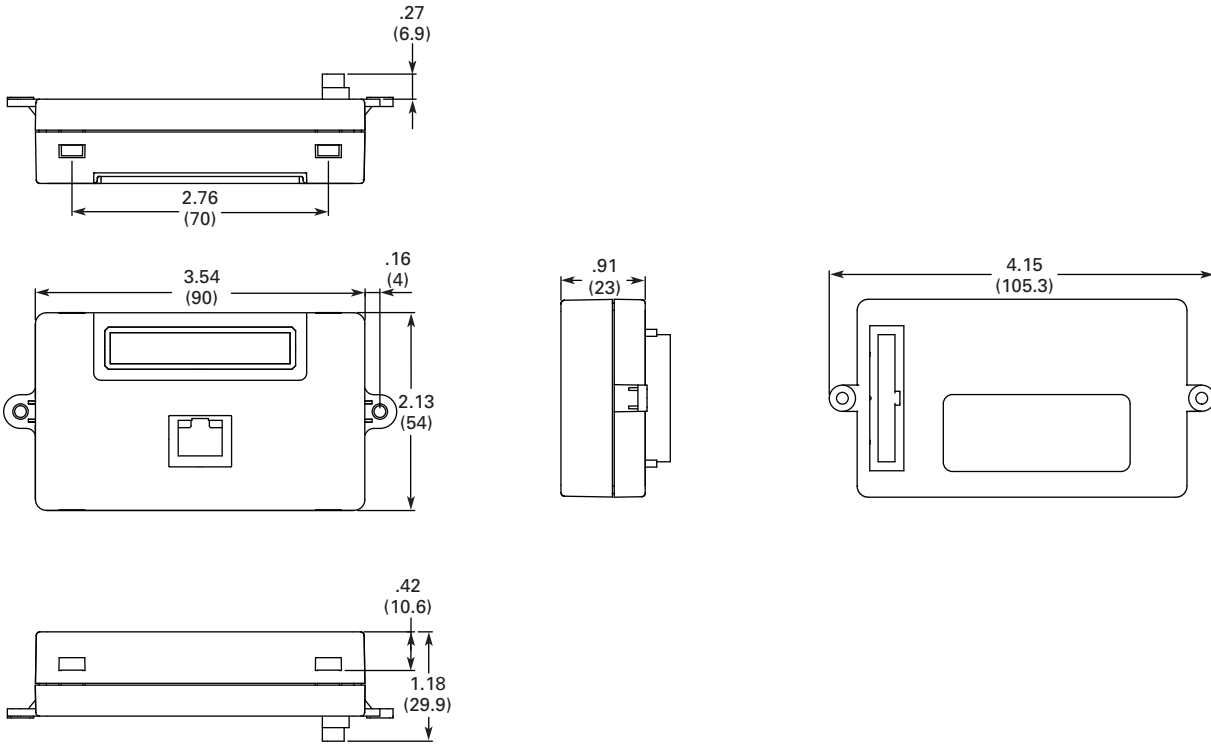


HMIEC0806 and HMIEC1612 Expansion Modules



Approximate Dimensions in Inches (mm)

HMIECENT Ethernet Expansion Module



XV and XP Operator Interface with Visual Designer



Product Description

The XV and XP Series, along with Visual Designer software, completes Eaton's strong portfolio of operator interfaces and logic control products. Along with a broad selection of industrial control components, Eaton is a single-source supplier for automation and control products

The new XV and XP Series of operator interfaces represent the broadest set of solutions Eaton has introduced in more than 25 years of HMI innovation. This family of high performance platforms provides unmatched flexibility, with a slim OEM design and a variety of communication port options that include onboard Ethernet on all models. With screen sizes ranging from 3.5 to 15 inches, vast communications capabilities, and a single development software package, the XV and XP Series represent a complete solution to any HMI application.

Visual Designer—a single software solution

At the heart of any good operator interface system is a powerful and intuitive software package. For this reason, Eaton introduces Visual Designer. When coupled with this new software package, XV and XP Series operator interfaces can communicate with virtually any network, any PLC, any web client, and any database. Development is simplified by the ability to seamlessly scale a single application across all XV and XP Series models. The Visual Designer runtime and web server licenses are pre-installed on all XV and XP Series units, eliminating the hassle and cost of purchasing and installing separately.

Contents

Description

Page

XV and XP Operator Interface with Visual Designer	
Product Selection Guide	V7-T39-27
XV Operator Interface	V7-T39-28
XP Operator Interface	V7-T39-31
Visual Designer Software	V7-T39-35



Features and Benefits

Fully connected, web-enabled

Today's operator interface applications range from basic monitor and control to high-end, feature-rich HMI software with Supervisory Control and Data Acquisition (SCADA). Customers demand communications capability with any network, PLC, Web client, and database. The answer: Eaton's Web-enabled Visual Designer operator interface software.

Web-based thin client

- Zero admin client—no need to install software on the remote PC. Any standard web browser will do
- Supports multiple simultaneous and independent web clients
- Simplified security—the same local user accounts and passwords for viewing and control also apply remotely

Connectivity

- Extensive list of over 240 native communication drivers for PLCs, drives, and many other industrial and commercial devices
- Interface to any relational database—access both local and enterprise functions such as MRP/ERP through databases such as Microsoft® Access, Fox Pro, SQL Server, Oracle®, PI System® and many others
- Other connectivity tools provide redundancy capabilities, Real-Time Data Exchange, Centralized Alarm Management, and more

Open platform

- Visual Designer Software can host third party ActiveX® and .NET controls and Visual Basic® programs
- In addition to Eaton's Operator Interface families, Visual Designer's runtime may be licensed on any 32 or 64-bit Windows PC

Interoperability

- Software is designed to open standards such as XML, OPC, ActiveX, .NET, ODBC, ADO, SOAP and more
- Seamless integration with third party hardware, software, and databases

Peace of mind

All of these capabilities—combined with Eaton's commitment to provide free technical support for both OI hardware and software—make it quick and easy to purchase, develop and deploy XV and XP operator interface solutions.

Product Selection Guide

XV and XP Operator Interface with Visual Designer Series XV Operator Interface

Series Model Screen Size	XV		XP	
	XV-102 3.5, 5.7, 7.0	XV-152 5.7, 8.4, 10.4	XP-702 8.4, 10.4, 12.1, 15.0	Blind Node (no display)
Housing material	Plastic	Metal	Metal	
Operating system	WinCE 5.0 Professional		Windows XPe	
Touchscreen technology	Resistive		Infrared, non-reflective safety glass	N/A
Communication ports	1 Ethernet, 1 or 2 serial, 0 or 1 USB		2 Ethernet, 2 serial, 4 USB	
Development software	Visual Designer (VISUALDCE or VISUALDXP)		Visual Designer (VISUALDXP)	
Pre-licensed tags, drivers, web sessions	1500 tags, 3 drivers, 1 web session		Standard models 4000 tags, 5 drivers, 1 web session Enterprise models 64,000 tags, 8 drivers, 1 web session	
Field upgradeable max tags, drivers, web sessions	4000 tags, 3 drivers, 1, 2, 4, or 8 web sessions simultaneously		64,000 tags, 8 drivers, 1, 2, 4, 8, 16, 32, 64, 128, or 256 web sessions simultaneously	
Alarm online/history	Yes		Yes	
Trend online/history	Yes		Yes	
VB scripting	Yes		Yes	
Scheduler	Yes		Yes	
Recipe	Yes		Yes	
Reports	Yes		Yes	
OPC, TCP/IP, and communication drivers	Yes		Yes	
Web Server and Web Thin Client support	Yes		Yes	
Full remote access	Yes		Yes	
Local/remote database interface	Yes		Yes	
Ability to run third party software	No		Yes	
ActiveX and .NET controls	No		Yes	
Full document viewing	No		Yes	
Windows media player	No		Yes	
Vision system interfaces	No		Yes	
Network camera monitoring	No		Yes	

XV Operator Interface



Contents

Description	Page
XV Operator Interface	
Catalog Number Selection	V7-T39-29
Product Selection	V7-T39-29
Technical Data and Specifications	V7-T39-30
XP Operator Interface	V7-T39-31
Visual Designer Software	V7-T39-35

XV Operator Interface

Product Description

Positioned between the **HMI** and the XP series of operator interface, the XV series is ideal for applications requiring extensive connectivity and the advanced features available in Visual Designer without the expense associated with more powerful open platforms.

The XV models were designed with OEMs in mind featuring an attractive bezel and slim and light weight housing. The clip mount design simplifies installation.

Features

XV Series operator interface with Windows CE operating system

- 3.5 in, 5.7 in, 7.0 in (widescreen), 8.4 in, and 10.4 in screen sizes
- Cost effective plastic or metal housing
- Resistive touch with flush bezel
- Ethernet and serial ports on all models
- Visual Designer XP or CE development software
- Pre-installed Visual Designer runtime and web serving licenses

Standards and Certifications

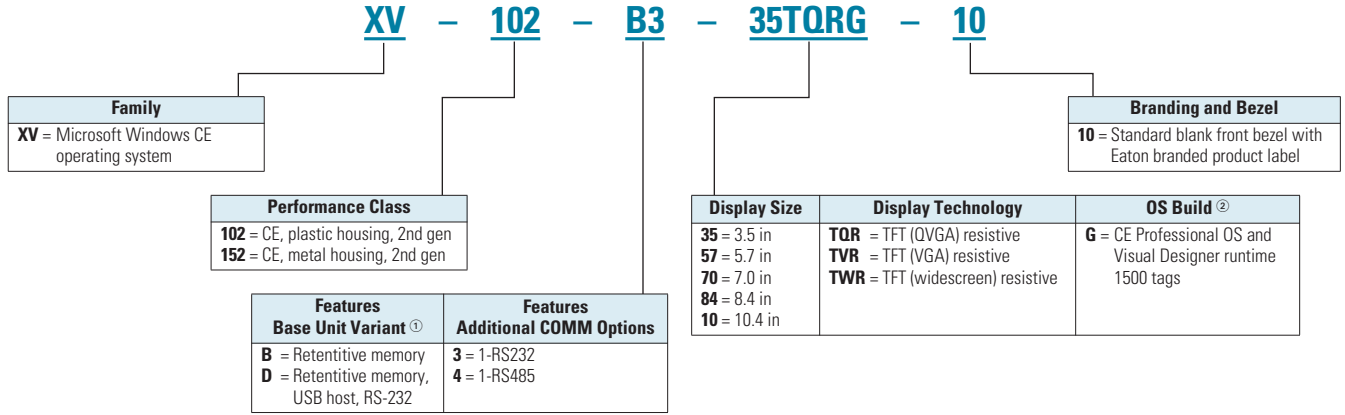
- CE
- UL
- cUL
- RoHS



Catalog Number Selection

XV Operator Interface

XV



Product Selection

Series Information

All XV models have a Microsoft Windows CE operating system and are pre-licensed with Visual Designer runtime for up to 1500 tags, 3 simultaneous communication drivers, and 1 web session. Field upgrades are available for up to 4000 tags, 3 drivers, and 2, 4, or 8 simultaneous web sessions.

XV Operator Interface

XV Operator Interface



Description	Catalog Number
XV 3.5 in TFT, plastic housing, resistive touch, Ethernet and RS-232	XV-102-B3-35TQRG-10
XV 3.5 in TFT, plastic housing, resistive touch, Ethernet and RS-485	XV-102-B4-35TQRG-10
XV 5.7 in TFT, plastic housing, resistive touch, Ethernet, RS-232, RS-485	XV-102-D4-57TVRG-10
XV 7.0 in TFT wide screen, plastic housing, resistive touch, Ethernet, RS-232, RS-485	XV-102-D4-70TWRG-10
XV 5.7 in TFT, metal housing, resistive touch, Ethernet, RS-232, RS-485	XV-152-D4-57TVRG-10
XV 8.4 in TFT, metal housing, resistive touch, Ethernet, RS-232, RS-485	XV-152-D4-84TVRG-10
XV 10.4 in TFT, metal housing, resistive touch, Ethernet, RS-232, RS-485	XV-152-D4-10TVRG-10

Notes

- ① All 1xx performance class units have 400MHz processor, 64 MB DRAM, 1 x 10/100 Ethernet, and 1 x USB device.
- ② Standard software on embedded hardware.

Technical Data and Specifications

XV Operator Interface

Series	XV Midrange Operator Interface			XV-152	XV-152	
	Model	3.5 in	5.7 in		5.7 in	8.4 in
Operating system	WinCE 5.0 Professional	WinCE 5.0 Professional	WinCE 5.0 Professional	WinCE 5.0 Professional	WinCE 5.0 Professional	WinCE 5.0 Professional
Touchscreen technology	Resistive	Resistive	Resistive	Resistive	Resistive	Resistive
Display, colors	Color TFT, 64k colors	Color TFT, 64k colors	Color TFT, 64k colors	Color TFT, 64k colors	Color TFT, 64k colors	Color TFT, 64k colors
Pixel resolution (landscape) portrait mode also available	QVGA 320 x 240	VGA 640 x 480	WVGA 800 x 480	VGA 640 x 480	VGA 640 x 480	VGA 640 x 480
Brightness (cd/m ²)	250	250	250	350	350	350
Backlight	LED, selectable dimming	LED, selectable dimming	LED, selectable dimming	LED, selectable dimming	LED, selectable dimming	LED, selectable dimming
Lifespan of backlight (half-life)	40,000 hrs	40,000 hrs	40,000 hrs	40,000 hrs	40,000 hrs	40,000 hrs
Processor	32 bit RISC, 400 MHz	32 bit RISC, 400 MHz	32 bit RISC, 400 MHz	32 bit RISC, 400 MHz	32 bit RISC, 400 MHz	32 bit RISC, 400 MHz
Volatile memory	64 MB DRAM	64 MB DRAM	64 MB DRAM	64 MB DRAM	64 MB DRAM	64 MB DRAM
Non-volatile memory	125 KB NVRAM/64 MB NAND, 1 SD card slot	125 KB NVRAM/64 MB NAND/ 2 MB NOR, 1 SD card slot		125 KB NVRAM/64 MB NAND/ 2 MB NOR, 1 SD card slot		
Real time clock	Yes	Yes	Yes	Yes	Yes	Yes
Communication ports	Ethernet 10/100, RS-485 or RS-232 USB Device		Ethernet 10/100, RS-485, RS-232 USB Host, USB Device	Ethernet 10/100, RS-485, RS-232 USB Host, USB Device		
Slots for COMM modules	None	None	None	None	None	None
Power supply rated voltage	24 Vdc nominal (–20%/+25%) with polarity protection			24 Vdc nominal (–20%/+25%) with polarity protection		
Continuous current consumption (max. amps)	0.2	0.4	0.4	0.4	0.6	0.6
Starting current inrush (A ² s)	1.5	1.5	1.5	1.5	1.5	1.5
Ambient conditions						
Operation—relative humidity, non-condensing	0 to 50°C, 10 to 95%	0 to 50°C, 10 to 95%	0 to 50°C, 10 to 95%	0 to 50°C, 10 to 95%	0 to 50°C, 10 to 95%	0 to 50°C, 10 to 95%
Storage/transport—relative humidity, non-condensing	–20 to 60°C, 10 to 95%	–20 to 60°C, 10 to 95%	–20 to 60°C, 10 to 95%	–20 to 60°C, 10 to 95%	–20 to 60°C, 10 to 95%	–20 to 60°C, 10 to 95%
Shock	IEC 60068-2-27 15g for 11 ms duration			IEC 60068-2-27 15g for 11 ms duration		
Vibration	IEC 60068-2-6 5–9 Hz: 3.5 mm displacement 9–60 Hz: 0.15 mm displacement 60–150 Hz: 2g acceleration			IEC 60068-2-6 5–9 Hz: 3.5 mm displacement 9–60 Hz: 0.15 mm displacement 60–150 Hz: 2g acceleration		
Agency certifications and standards	CE, UL/cUL, CSA (pending), RoHS			CE, UL/cUL, CSA (pending), RoHS		
Protection type						
Front	IP65, NEMA 4X (indoor)	IP65, NEMA 4X (indoor)	IP65, NEMA 4X (indoor)	IP65, NEMA 4X (indoor)	IP65, NEMA 4X (indoor)	IP65, NEMA 4X (indoor)
Rear	IP20, NEMA 1	IP20, NEMA 1	IP20, NEMA 1	IP20, NEMA 1	IP20, NEMA 1	IP20, NEMA 1
Housing material	Plastic	Plastic	Plastic	Metal	Metal	Metal
Dimensions WxHxD (mm)	136 x 100 x 30	170 x 130 x 39	210 x 135 x 38	212 x 156 x 53	275 x 208 x 53	345 x 260 x 54
Mounting cutout WxH (mm)	123 x 87	157 x 117	197 x 122	198 x 142	261 x 194	329 x 238
Approximate weight lbs (kg)	0.7 (0.3)	1.3 (0.6)	1.3 (0.6)	2.9 (1.3)	4.3 (2.1)	6.1 (3.0)
Development software	Visual Designer (VISUALDCE or VISUALDXP)					
Ability to run third party software	No	No	No	No	No	No
Pre-licensed tags, drivers, web sessions	1500 tags, 3 drivers, 1 web session			1500 tags, 3 drivers, 1 web session		
Field upgradeable max tags, drivers, web sessions	4000 tags, 3 drivers, 1, 2, 4, or 8 web sessions simultaneously			4000 tags, 3 drivers, 1, 2, 4, or 8 web sessions simultaneously		

XP Operator Interface



Contents

Description	Page
XV Operator Interface	V7-T39-28
XP Operator Interface	
Catalog Number Selection	V7-T39-32
Product Selection	V7-T39-32
Technical Data and Specifications	V7-T39-33
Visual Designer Software	V7-T39-35

XP Operator Interface

Product Description

The XP models were designed for performance. This series is perfect for OEMs who require extensive connectivity, the advanced features available in Visual Designer, have large or high speed applications, or need an open platform for running third party software. The unique infrared touchscreen with scratch resistant safety glass is ideal for harsh environments where traditional touchscreens are easily damaged. The two externally accessible solid state CompactFlash® drives provide both easy access and reliability. Protect Mode, available only on Eaton's XP embedded operator interface products, protects the operating system from unwanted changes providing improved up-time and reliability.

Features

XP Series operator interface with Windows XP Embedded operating system

- 8.4 in, 10.4 in, 12.1 in, and 15.0 in screen sizes as well as blind node
- Infrared touch screen, safety glass and metal housing for demanding environments
- Multiple Ethernet, serial, and USB ports on all models
- All solid state media increases reliability
- Open architecture compatible with third party software and hardware
- Non-corruptible OS with Protect Mode® increases security and minimizes emergency and preventative maintenance downtime
- Visual Designer XP development software
- Pre-installed Visual Designer runtime and web serving licenses

Standards and Certifications

- CE
- UL
- cUL
- RoHS

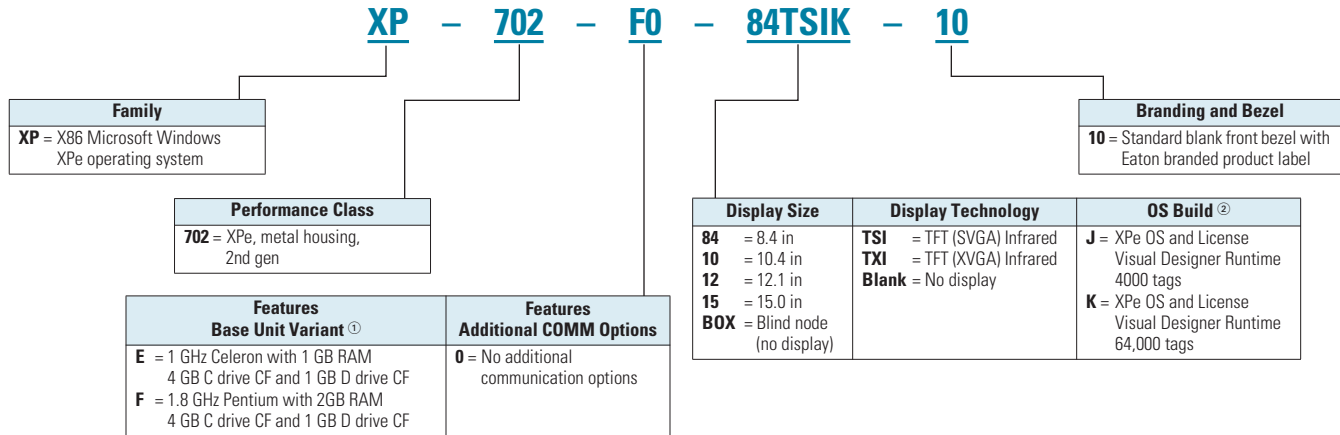


Catalog Number Selection

XP Operator Interface

XP

39



Product Selection

Series Information

All XP models have a Microsoft Windows XP embedded operating system and are pre-licensed with Visual Designer runtime. The standard models are licensed for 4000 tags, 5 simultaneous communication drivers, and 1 web session. The enterprise models are licensed for 64,000 tags, 8 simultaneous communication drivers, and 1 web session. Field upgrades are available for up to 64,000 tags, 8 drivers, and 2, 4, 8, 16, 32, 64, 128, or 256 simultaneous web sessions.

XP Operator Interface

XP Operator Interface



Description

Description	Catalog Number
XP 8.4 in TFT, 1 GHz Celeron, 1 GB RAM, 4 GB C drive, 1 GB D drive, 4000 tags, 5 drivers, 1 web session	XP-702-E0-84TSIJ-10
XP 10.4 in TFT, 1 GHz Celeron, 1 GB RAM, 4 GB C drive, 1 GB D drive, 4000 tags, 5 drivers, 1 web session	XP-702-E0-10TSIJ-10
XP 12.1 in TFT, 1 GHz Celeron, 1 GB RAM, 4 GB C drive, 1 GB D drive, 4000 tags, 5 drivers, 1 web session	XP-702-E0-12TXIJ-10
XP 15.0 in TFT, 1 GHz Celeron, 1 GB RAM, 4 GB C drive, 1 GB D drive, 4000 tags, 5 drivers, 1 web session	XP-702-E0-15TXIJ-10
XP blind node (no display), 1 GHz Celeron, 1 GB RAM, 4 GB C drive, 1 GB D drive, 4000 tags, 5 drivers, 1 web session	XP-702-E0-BOXJ-10
XP 8.4 in TFT, 1.8 GHz Pentium, 2 GB RAM, 4 GB C drive, 1 GB D drive, 64k tags, 8 drivers, 1 web session	XP-702-F0-84TSIK-10
XP 10.4 in TFT, 1.8 GHz Pentium, 2 GB RAM, 4 GB C drive, 1 GB D drive, 64k tags, 8 drivers, 1 web session	XP-702-F0-10TSIK-10
XP 12.1 in TFT, 1.8 GHz Pentium, 2 GB RAM, 4 GB C drive, 1 GB D drive, 64k tags, 8 drivers, 1 web session	XP-702-F0-12TXIK-10
XP 15.0 in TFT, 1.8 GHz Pentium, 2 GB RAM, 4 GB C drive, 1 GB D drive, 64k tags, 8 drivers, 1 web session	XP-702-F0-15TXIK-10
XP blind node (no display), 1.8 GHz Pentium, 2 GB RAM, 4 GB C drive, 1 GB D drive, 64k tags, 8 drivers, 1 web session	XP-702-F0-BOXK-10

Notes

- ① All 7xx Performance Class units have 1 x 10/100, 1 x 10/100/1000 Ethernet, 4 x USB Host V2.0, 2 x RS-232.
- ② Standard software on embedded hardware.

Technical Data and Specifications

XP Operator Interface

Series Model	XP Performance Operator Interface				
	XP-702				
Screen Size	8.4 in	10.4 in	12.1 in	15.0 in	Blind Node (no display)
Operating system	Windows XPe	Windows XPe	Windows XPe	Windows XPe	Windows XPe
Touchscreen technology	Infrared, non-reflective safety glass				N/A
Display, colors	Color TFT, selectable 16 million, 64k, or 256 colors				VGA and DVI-D output
Pixel resolution (landscape)— Portrait mode also available	SVGA 800 x 600	SVGA 800 x 600	XGA 1024 x 768	XGA 1024 x 768	800 x 600 to 1920 x 1200
Brightness (cd/m ²)	400	400	400	400	N/A
Backlight	2 CCFL	2 CCFL	2 CCFL	4 CCFL	N/A
Lifespan of backlight (half-life)	50,000 hrs	50,000 hrs	50,000 hrs	50,000 hrs	N/A
Processor					
Standard models	1 GHz Celeron M	1 GHz Celeron M	1 GHz Celeron M	1 GHz Celeron M	1 GHz Celeron M
Enterprise models	1.8 GHz Pentium M	1.8 GHz Pentium M	1.8 GHz Pentium M	1.8 GHz Pentium M	1.8 GHz Pentium M
Volatile memory					
Standard models	1 GB	1 GB	1 GB	1 GB	1 GB
Enterprise models	2 GB	2 GB	2 GB	2 GB	2 GB
Non-volatile memory					
Standard models ^①	2 GB min C drive (OS), 1 GB min D drive				
Enterprise models ^①	4 GB min C drive (OS), 1 GB min D drive				
Real time clock	Yes	Yes	Yes	Yes	Yes
Communication ports	Ethernet 1 x 10/100 and 1 x 10/100/1000; 2 x RS232; 4 x USB 2.0 Host				
Slots for COMMM modules	1 x PCI 32-bit	1 x PCI 32-bit	1 x PCI 32-bit	1 x PCI 32-bit	1 x PCI 32-bit
Power supply rated voltage	24 Vdc nominal (–15%/+20%) with polarity protection				

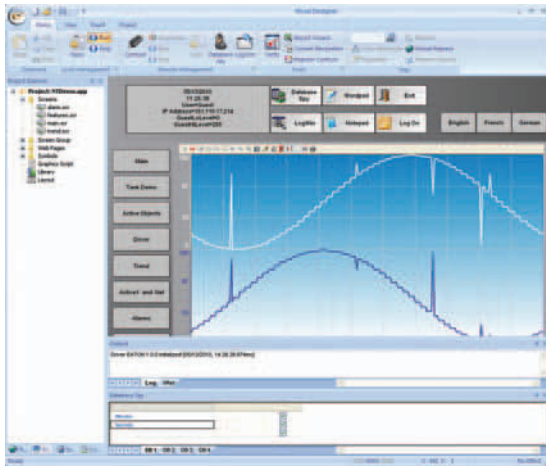
Note

^① All are removable CompactFlash.

XP Operator Interface, continued

Series Model	XP Performance Operator Interface				
	XP-702				
Screen Size	8.4 in	10.4 in	12.1 in	15.0 in	Blind Node (no display)
Continuous current consumption (maximum amps)					
Standard models	2.0	2.0	2.1	2.1	1.4
Enterprise models	3.1	3.1	3.2	3.2	2.8
Starting Current Inrush (A ² s)	2.0	2.0	2.0	2.0	2.0
Ambient conditions					
Operation—relative humidity, non-condensing	0 to 50°C, 10 to 95%	0 to 50°C, 10 to 95%	0 to 50°C, 10 to 95%	0 to 50°C, 10 to 95%	0 to 50°C, 10 to 95%
Storage/transport—relative humidity, non-condensing	-20 to 60°C, 10 to 95%	-20 to 60°C, 10 to 95%	-20 to 60°C, 10 to 95%	-20 to 60°C, 10 to 95%	-20 to 60°C, 10 to 95%
Shock	IEC 60068-2-27 15g for 11 ms duration				
Vibration	IEC 60068-2-6	IEC 60068-2-6	IEC 60068-2-6	IEC 60068-2-6	IEC 60068-2-6
5–9 Hz	3.5 mm displacement	3.5 mm displacement	3.5 mm displacement	3.5 mm displacement	3.5 mm displacement
9–60 Hz	0.15 mm displacement	0.15 mm displacement	0.15 mm displacement	0.15 mm displacement	0.15 mm displacement
60–150 Hz	1g acceleration	1g acceleration	1g acceleration	1g acceleration	1g acceleration
Agency certifications and standards	CE, UL/cUL, CSA (pending), RoHS				
Protection type					
Front	IP65, NEMA 4X (indoor)	IP65, NEMA 4X (indoor)	IP65, NEMA 4X (indoor)	IP65, NEMA 4X (indoor)	IP20, NEMA 1
Rear	IP20, NEMA 1	IP20, NEMA 1	IP20, NEMA 1	IP20, NEMA 1	IP20, NEMA 1
Housing material	Metal				
Dimensions WxHxD (mm)	275 x 208 x 102/140	345 x 260 x 91/129	361 x 279 x 98/136	427 x 322 x 101/139	264 x 194 x 58/96
Mounting cutout WxH (mm)	261 x 194	329 x 238	344 x 262	410 x 315	N/A
Approximate weight lbs (kg)	6.4/7.3 (3.2/3.6)	8.3/9.1 (4.1/4.5)	9.5/10.3 (4.7/5.1)	12.8/13.6 (6.3/6.7)	3.9/4.7 (1.9/2.3)
Development software	Visual Designer (VISUALDXP)				
Ability to run third party software	Yes	Yes	Yes	Yes	Yes
Pre-licensed tags, drivers, web sessions					
Standard models	4000 tags, 5 drivers, 1 web session				
Enterprise models	64,000 tags, 8 drivers, 1 web session				
Field upgradeable max tags, drivers, web sessions	64,000 tags, 8 drivers, 1, 2, 4, 8, 16, 32, 64, 128, or 256 web sessions simultaneously				

Visual Designer Software



Visual Designer Software

Product Description

Advanced GUI Development, Made Easy

Time-saving solutions, lower costs.

With application development expense often outweighing the hardware expense, the demand to quickly design and implement advanced GUI solutions is greater than ever. Even advanced features such as data archiving, recipe management, multi-language, SQL database access, and web serving are made easy through an elegant and modern user interface. Visual Designer's ease-of-use and time-saving features lower your total installed cost.

Features

Visual Designer is a software development package optimized for OEMs. New tools streamline the application development process, and the creation of web-based applications has never been easier. In addition to basic monitor and control functionality, Visual Designer is packed with advanced features streamlining the design of sophisticated applications.

Contents

Description

	Page
XV Operator Interface	V7-T39-28
XP Operator Interface	V7-T39-31
Visual Designer Software	
Product Selection	V7-T39-36

Advanced Features

- Pop-ups and group screens
- Full mathematical and logical evaluation
- Web browsing and document viewing
- Remote access and control without having to install software to the remote PC
- Database interfacing
- Historical alarms and events
- Historical data archiving and trending
- Recipe management
- Multi-language
- VB scripting
- Report generation
- Scheduling
- Resolution conversion
- E-mailing and text messaging
- Launch and control of third party applications

Advanced Development Features

- Conversion of legacy PanelMate™ configurations
- Optional PanelBuilder™ conversion utility
- Online configuration/editing
- Advanced search and replace
- Automatic scaling of web clients
- Customizable application symbols
- Reusable controls, images, and screens via indirect tag and/or PLC assignments

Product Selection

Visual Designer

Visual Designer Software

Description

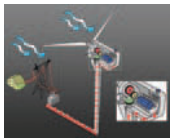
Catalog Number

Visual Designer Development Software License Key

For CE hardware	VISUALDCE
For PCs, XPe, and CE hardware	VISUALDXP
For CE hardware, 5-pack of VISUALDCE	VISUALDCE5
For PCs, XPe, and CE hardware, 5-pack of VISUALDXP	VISUALDXP5
For a PC Runtime software license with a maximum of 64k tags, 8 drivers, 1 web session	VISUALRTPC
Visual Designer development software and PC runtime software licenses for a max of 64k tags, 8 drivers, 1 web session	VISUALRTDEVPC

Software Updates and Upgrades

Update to current version Visual Designer development software for CE hardware	VISUALDUPCE
Update to current version Visual Designer development software PCs/XPe/CE	VISUALDUPXP
Update to current version of Visual Designer runtime license for PCs	VISUALRTUPPC
Upgrade from Visual Designer CE 1500 tag to 4000 tag runtime	VISUALRT4KCE
Upgrade from Visual Designer XPe 4000 tag, 5 driver to 64k tag, 8 driver runtime license	VISUALRT64KXP
Upgrade from Visual Designer development software CE to CE plus PC and XPe (64k tag, 8 drivers)	VISUALDCE2XP
Visual Designer PanelBuilder conversion utility optional plug-in (requires Visual Designer software)	VISUALDPBCU
Visual Designer 1 additional web thin client license for Internet Explorer	VISUALWEB1
Visual Designer 3 additional web thin client licenses for Internet Explorer	VISUALWEB3
Visual Designer 7 additional web thin client licenses for Internet Explorer	VISUALWEB7



PanelMate Operator Interface



Contents

<i>Description</i>	<i>Page</i>
PanelMate Operator Interface	
Product Selection Guide	V7-T39-38
ePro PS	V7-T39-40
Standalone Touchscreen Displays	V7-T39-47
Canvas Software	V7-T39-49
PanelMate Power Pro LT1100, 1700, 3000 and 5000	V7-T39-51
PanelMate PC Pro Runtime Hardware Key ...	V7-T39-58
Power Pro Software	V7-T39-59
Accessories	V7-T39-60
Legacy Products Spare Parts	V7-T39-69



Drawings
Online

Product Description

Machine builders and manufacturing system designers increasingly recognize the benefits of using electronic operator interface devices to replace pushbuttons, lights, gauges and other traditional hardwired devices.

Most choose dedicated operator interface systems because they are easy to use, fully integrated and cost-effective.

Industry Standard

PanelMate units are flexible, expandable, cost-effective alternatives to traditional operator control panels. A single PanelMate unit easily replaces panels that once contained numerous pushbuttons, indicator lights, thumbwheels, message displays and alarm annunciators.

Features and Benefits

- Replaces conventional control panels at less than half the cost
- Gives operators more information for better control decisions
- Standardizes operator stations and minimizes operator training
- Saves processor memory by utilizing Boolean logic and math functions
- Reduces hardwiring costs and minimizes installation time
- Adds advanced capabilities such as machine diagnostics, troubleshooting, trending and alarms at no additional cost
- Automates documentation.
- Meets tight panel space requirements

Product Selection Guide

PanelMate System Components

Each PanelMate system requires component selection from three major categories:

- Operator interface—the online unit or operator station
- Configuration software—PC-based software, used to configure and transfer applications to and from the operator interface
- Connectivity—includes optional cables, hardware interfaces and software utilities

Selection Criteria

- First, select the most appropriate operator interface, display type and size, and operator input options for the customer's application
 - The selection of the operator interface model line is driven by such considerations as the size and complexity of the operator interface application, performance requirements, as well as the economic factors of the overall control system
 - The display type is chosen based on application complexity and the operator's proximity to the operator interface
- Operator input options include either touchpanel (keypad) or touchscreen operator interface models. Criteria for selection of the best input method include environmental factors (airborne particles, grease, etc.), and application design (numeric input, one-touch control, etc.)
- Second, select the appropriate configuration editing software for the chosen Operator Interface

Note: If the customer already has configuration software, they may only need a software upgrade.
- Finally, select required connectivity features, such as interface cables, optional high-speed interface cards, and, for some Allen-Bradley® drivers, licensing enabler utilities
- Eaton's interface cables are ideal for system and application testing. For actual plant floor applications, custom cables are generally required to meet the customer's requirements for length, environment, termination, etc.

Note: In order to specify the proper cabling and other connectivity options, you must know the target PLC or controller to be used with the operator interface. Required information may include the PLC brand, model number, software/firmware revision level, and hardware/software interface type.

Glossary

Classic—Support PanelMate Power Pro and Canvas applications

EE—Enterprise Edition (extended capabilities)

ePro—PanelMate ePro Series

ePro PS—PanelMate ePro PS (Performance Series)

KP—Keypad (Touchpanel)

OD—Outdoor Series

PP—PanelMate Power Pro Series

SST—Stainless Steel Front Panel Option

TS—Touchscreen

PanelMate Operator Interface Models

Family	Series	Display	TS ①	KP ①	SST	OD	Classic	EE	Ethernet	Power Pro SW	Canvas SW	Visual Designer SW ④
ePro PS	7685T-8	8.4 in color TFT	✓	—	—	✓	✓	✓	✓	✓ ^②	✓	✓
	7685T-10	10.4 in color TFT	✓	—	✓	—	✓	✓	✓	✓ ^②	✓	✓
	7685T-12	12.1 in color TFT	✓	—	✓	✓	✓	✓	✓	✓ ^②	✓	✓
	7685T-15	15.0 in color TFT	✓	—	✓	✓	✓	✓	✓	✓ ^②	✓	✓
	7600	Display with TS or other input device purchased separately.	—	—	—	—	✓	✓	✓	✓ ^②	✓	✓
Power Pro	1155	7.4 in grayscale LCD	✓	✓	—	—	—	—	—	✓	—	—
	1175	7.7 in color DSTN	✓	✓	—	—	—	—	—	✓	—	—
	1755	7.4 in grayscale LCD	✓	✓	—	—	—	—	—	✓	—	—
	1785	7.7 in color DSTN	✓	✓	—	—	—	—	—	✓	—	—
	1775	8.4 in color TFT	✓	✓	—	—	—	—	—	✓	—	—
	3985	10.4 in color TFT	✓	✓	✓	—	—	—	—	✓	—	—
	5485	10.4 in color TFT	—	✓ ^③	✓	—	—	—	—	✓	—	—
	5785	10.4 in color TFT	✓	✓	✓	—	—	—	—	✓	—	—

Notes

- ① TS and KP options are mutually exclusive.
- ② Classic model required.
- ③ Split architecture.
- ④ Enterprise model required.

ePro PS



ePro PS

Product Description

The PanelMate ePro PS family is made up of high performance, yet cost-effective operator interface products. The ePro PS family carries on the PanelMate tradition of performance in balance with ease of use. The ePro PS family sets the standard for hybrid OI systems by combining the flexibility of Microsoft® Windows® XP Embedded operating system with the stability and reliability achieved through the solid-state hardware design and exclusive Protect Mode™ that provides protection for the operating system and software.


The ePro PS family provides the performance and flexibility of PC-based operator interfaces without the associated complexity of a PC on the plant floor. With integrated high-speed Ethernet, serial ports, USB ports, removable CompactFlash® and PCMCIA, the ePro PS models can be adapted for a wide variety of user requirements.

The ePro PS family of products are configured with Canvas editing software. Specific ePro PS Enterprise Edition models are pre-licensed to run Eaton's Visual Designer editing software. Both editors support a modern suite of graphical templates for replacing hardwired panel devices such as pushbuttons, indicator lights, bars, readouts, message displays, and more.

The PanelMate ePro PS family of products includes:

- PanelMate ePro PS
- PanelMate ePro PS OD (Outdoor Series)
- PanelMate ePro PS EE (Enterprise Edition)
- PanelMate ePro PS Classic

Contents

Description	Page
ePro PS	
Application Description	V7-T39-41
Features	V7-T39-41
Standards and Certifications	V7-T39-41
Catalog Number Selection	V7-T39-42
Product Selection	V7-T39-42
Technical Data and Specifications	V7-T39-46
	
Standalone Touchscreen Displays	V7-T39-47
Canvas Software	V7-T39-49
PanelMate Power Pro LT1100, 1700, 3000 and 5000	V7-T39-51
PanelMate PC Pro Runtime Hardware Key	V7-T39-58
Power Pro Software	V7-T39-59
Accessories	V7-T39-60
Legacy Products Spare Parts	V7-T39-69

PanelMate ePro PS OD

The PanelMate ePro PS OD (Outdoor Series) operator interface is designed for use in outdoor applications. The OD models offer increased visibility in high ambient light, broad temperature specifications and UV resistance.

PanelMate ePro PS EE

The PanelMate ePro PS EE (Enterprise Edition) operator interface is designed for end users that need more system memory, more data storage or additional Windows XP Embedded components and services to support large Canvas applications or third-party software.

PanelMate ePro PS Classic

The PanelMate ePro PS Classic operator interface is designed for use by end users that are currently using the PanelMate Power Pro software and are ready for the new PanelMate ePro PS hardware but are not quite ready to convert their PanelMate Power Pro configurations to Canvas applications. Since the PanelMate ePro PS Classic OI supports Power Pro and Canvas Runtime software, the user can utilize the Canvas Runtime software if and when they are ready.

The ePro PS Classic OI is based on the PanelMate ePro PS hardware models with the addition of software and licenses that allow users to run the PanelMate Power Pro Runtime software. One difference is in the area of drivers: the ePro PS Classic OI running PanelMate Power Pro configurations does not support native (non-OPC) communication drivers, but does support up to three OPC drivers simultaneously.

Application Description

Whether replacing hard-wired pilot devices and pushbuttons or providing machine control and even SCADA functions, the ePro PS family of products will fit from both a form and functional standpoint. In monitoring and diagnostic applications, as well as operator controls for critical start/stop, ramp/jog and set point adjustment, the PanelMate ePro PS products offer a reliable and safe interface for a wide range of industrial applications such as:

- Discrete manufacturing machine diagnostics and controls
- Oil platform monitoring and control in the petroleum industry
- Central and remote water and wastewater control panels
- Monitoring and control panels for local facilities/air handling equipment
- Tire manufacturing mixing and building processes
- Industrial and commercial power house controls; building HVAC controls
- Material handling and palletizing monitoring and control
- Automotive press and machine parts controls

Features

Description	Specification
8 in display models	8.40 in (213.4 mm), color TFT display, 16 million colors SVGA (800 x 600) resolution 400 nits (400 cd/m ²), OD models 425 nits (425 cd/m ²) brightness 50,000 hours typical life for backlight; field replaceable Auto dimming
10 in display models	10.40 in (260 mm), color TFT display, 16 million colors SVGA (800 x 600) resolution 420 nits (420 cd/m ²) brightness 50,000 hours typical life for backlight; field replaceable Auto dimming
12 in display models	12.10 in (307.3 mm), color TFT display, 16 million colors SVGA (800 x 600) resolution 450 nits (450 cd/m ²), OD models 505 nits (505 cd/m ²) brightness 50,000 hours typical life for backlight; field replaceable Auto dimming
15 in display models	15.00 in (381.0 mm), color TFT display, 16 million colors XGA (1024 x 768) resolution 250 nits (250 cd/m ²), OD models 600 nits (600 cd/m ²) brightness 50,000 hours typical life for backlight; field replaceable Auto dimming
Blind node (no display) models	VGA (640 x 480), SVGA (800 x 600), XGA (1024 x 768), SXGA (1280 x 1024), UXGA (1600 x 1200) resolution 16 million colors (SXGA and UXGA—65K colors)
Operator entry	Touchscreen interface with resistive technology for gloved-hand operation Pop-up, on-screen alphanumeric keypad support
Hardware/mounting	Single-piece lightweight design for easy panel mounting (except blind node models)
Powerful OI capabilities	Supports Canvas controls Built-in two-touch control Full math and logic expressions
Communications and I/O capabilities	One integrated Ethernet port: 10/100Base-T Two serial ports: RS-232 and RS-232/422/485 (optically isolated) Four USB ports: V2.0 One CompactFlash® memory card slot Two PCMCIA Type II slots (or one Type III) Built-in OPC client/server with support for over 100 OPC drivers for both Ethernet and serial connectivity One video output port
Protect mode	Safeguards the integrity of operating system files and data files by preventing unauthorized alterations and corruption caused by viruses or unexpected power disruptions

Standards and Certifications

- RoHS, CE mark
- UL/cUL and CSA Class I, Div 2, Groups A, B, C, D

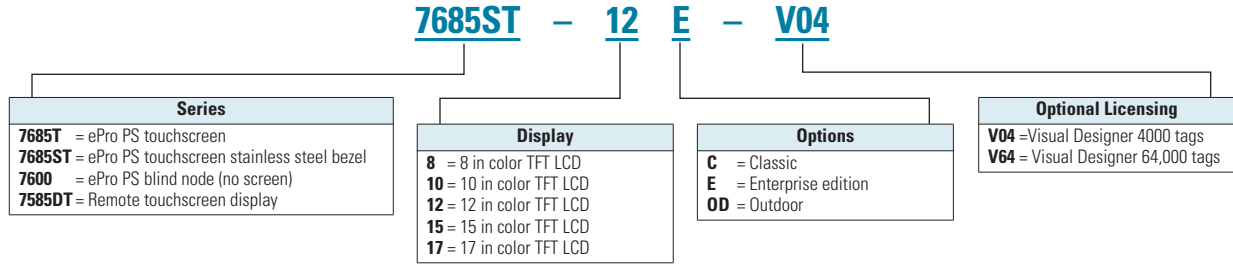


Catalog Number Selection

PanelMate ePro PS Operator Interface

PanelMate ePro PS

39



Product Selection

PanelMate ePro PS



PanelMate ePro PS Operator Interface (76xx Series) with Visual Designer Runtime License ①

Description	Catalog Number
Visual Designer Runtime License—4000 tags, 5 drivers, 1 web session	
Blind Node (no display), see table on Page V7-T39-48 for display options)	7600E-V04
8.4 in color TFT display, touchscreen (acrylic), painted steel bezel	7685T-8E-V04
8.4 in color TFT display, touchscreen (acrylic), painted steel bezel, Outdoor	7685T-80DE-V04
10.4 in color TFT display, touchscreen (glass), painted steel bezel	7685T-10E-V04
10.4 in color TFT display, touchscreen (glass), stainless steel bezel	7685ST-10E-V04
12.1 in color TFT display, touchscreen (glass), stainless steel bezel	7685ST-12E-V04
12.1 in color TFT display, touchscreen (glass), stainless steel bezel, Outdoor	7685ST-120DE-V04
12.1 in color TFT display, touchscreen (glass), stainless steel bezel	7685ST-15E-V04
12.1 in color TFT display, touchscreen (glass), painted steel bezel	7685T-12E-V04
12.1 in color TFT display, touchscreen (glass), painted steel bezel, Outdoor	7685T-120DE-V04
15.0 in color TFT display, touchscreen (glass), stainless steel bezel, Outdoor	7685ST-150DE-V04
15.0 in color TFT display, touchscreen (glass), painted steel bezel	7685T-15E-V04
15.0 in color TFT display, touchscreen (glass), painted steel bezel, Outdoor	7685T-150DE-V04
Visual Designer Runtime License—64,000 tags, 8 drivers, 1 web session	
Blind Node (no display), see table on Page V7-T39-41 for display options)	7600E-V64
8.4 in color TFT display, touchscreen (acrylic), painted steel bezel	7685T-8E-V64
8.4 in color TFT display, touchscreen (acrylic), painted steel bezel, Outdoor	7685T-80DE-V64
10.4 in color TFT display, touchscreen (glass), stainless steel bezel	7685ST-10E-V64
10.4 in color TFT display, touchscreen (glass), painted steel bezel	7685T-10E-V64
12.1 in color TFT display, touchscreen (glass), stainless steel bezel	7685ST-12E-V64
12.1 in color TFT display, touchscreen (glass), stainless steel bezel, Outdoor	7685ST-120DE-V64
12.1 in color TFT display, touchscreen (glass), stainless steel bezel	7685ST-15E-V64
12.1 in color TFT display, touchscreen (glass), painted steel bezel	7685T-12E-V64
12.1 in color TFT display, touchscreen (glass), painted steel bezel, Outdoor	7685T-120DE-V64
15.0 in color TFT display, touchscreen (glass), painted steel bezel	7685T-15E-V64
15.0 in color TFT display, touchscreen (glass), painted steel bezel, Outdoor	7685T-150DE-V64
15.0 in color TFT display, touchscreen (glass), stainless steel bezel, Outdoor	7685ST-150DE-V64

Note

① All ePro PS with Visual Designer runtime licenses have 1 GB DDR2 RAM, 4 GB internal CompactFlash (C drive), 512 MB external CompactFlash (D drive).

PanelMate ePro PS



PanelMate ePro PS Operator Interface (76xx Series) with Canvas and Kepware Runtime Licenses

Description	Catalog Number
PanelMate ePro PS	
8.4 in color TFT display, touchscreen (acrylic), OPC, DC, User manual on CD-ROM	7685T-8
10.4 in color TFT display, touchscreen (glass), OPC, painted steel, DC, User manual on CD-ROM	7685T-10
10.4 in color TFT display, touchscreen (glass), OPC, stainless steel, DC, User manual on CD-ROM	7685ST-10
12.1 in color TFT display, touchscreen (glass), OPC, painted steel, DC, User manual on CD-ROM	7685T-12
12.1 in color TFT display, touchscreen (glass), OPC, stainless steel, DC, User manual on CD-ROM	7685ST-12
15.0 in color TFT display, touchscreen (glass), OPC, painted steel, DC, User manual on CD-ROM	7685T-15
15.0 in color TFT display, touchscreen (glass), OPC, stainless steel, DC, User manual on CD-ROM	7685ST-15
Blind node (no display, see table on Page V7-T39-48 for display options), OPC, DC, User manual on CD-ROM	7600
PanelMate ePro PS EE (Enterprise Edition)	
8.4 in color TFT display, touchscreen (acrylic), OPC, DC, User manual on CD-ROM	7685T-8E
10.4 in color TFT display, touchscreen (glass), OPC, painted steel, DC, User manual on CD-ROM	7685T-10E
10.4 in color TFT display, touchscreen (glass), OPC, stainless steel, DC, User manual on CD-ROM	7685ST-10E
12.1 in color TFT display, touchscreen (glass), OPC, painted steel, DC, User manual on CD-ROM	7685T-12E
12.1 in color TFT display, touchscreen (glass), OPC, stainless steel, DC, User manual on CD-ROM	7685ST-12E
15.0 in color TFT display, touchscreen (glass), OPC, painted steel, DC, User manual on CD-ROM	7685T-15E
15.0 in color TFT display, touchscreen (glass), OPC, stainless steel, DC, User manual on CD-ROM	7685ST-15E
Blind node (no display, see table on Page V7-T39-48 for display options), OPC, DC, User manual on CD-ROM	7600E
PanelMate ePro PS OD (Outdoor)	
8.4 in color TFT display, touchscreen (acrylic), OPC, DC, User manual on CD-ROM	7685T-80D
12.1 in color TFT display, touchscreen (glass), OPC, painted steel, DC, User manual on CD-ROM	7685T-120D
12.1 in color TFT display, touchscreen (glass), OPC, stainless steel, DC, User manual on CD-ROM	7685ST-120D
15.0 in color TFT display, touchscreen (glass), OPC, painted steel, DC, User manual on CD-ROM	7685T-150D
15.0 in color TFT display, touchscreen (glass), OPC, stainless steel, DC, User manual on CD-ROM	7685ST-150D
PanelMate ePro PS Classic	
8.4 in color TFT display, touchscreen (acrylic), OPC, DC, User manual on CD-ROM	7685T-8C
10.4 in color TFT display, touchscreen (glass), OPC, painted steel, DC, User manual on CD-ROM	7685T-10C
10.4 in color TFT display, touchscreen (glass), OPC, stainless steel, DC, User manual on CD-ROM	7685ST-10C
12.1 in color TFT display, touchscreen (glass), OPC, painted steel, DC, User manual on CD-ROM	7685T-12C
12.1 in color TFT display, touchscreen (glass), OPC, stainless steel, DC, User manual on CD-ROM	7685ST-12C
15.0 in color TFT display, touchscreen (glass), OPC, painted steel, DC, User manual on CD-ROM	7685T-15C
15.0 in color TFT display, touchscreen (glass), OPC, stainless steel, DC, User manual on CD-ROM	7685ST-15C
Blind node (no display, see table on Page V7-T39-48 for display options), OPC, DC, User manual on CD-ROM	7600C

PanelMate ePro PS

PanelMate ePro PS Spare Parts for all New RoHS Compliant Models ^①

Description	Standard	Enterprise Edition	Classic	Outdoor	Catalog Number
8.4 Inch Models					
Acrylic touchscreen (gaskets 32-01682 and 32-02208 required)	✓	—	✓	—	47-50888
Acrylic touchscreen (gaskets 32-01682 and 32-02208 required)	—	✓	—	—	47-50888-1
Front panel assembly	✓	✓	✓	✓	91-01494
Gasket for front panel	✓	✓	✓	✓	32-01682
Gasket for touchscreen	✓	✓	✓	✓	32-02208
Backlight kit	✓	✓	✓	✓	99-5704
Ship kit	✓	✓	✓	✓	86-00088
Outdoor color TFT display assembly	—	—	—	✓	34-4290
Outdoor acrylic touchscreen (gaskets 32-1682 and 32-02208 required)	—	—	—	✓	47-50888-2
10.4 Inch Models					
Color TFT display assembly	✓	✓	✓	—	35-4756-2
Glass touchscreen	✓	✓	✓	—	63-00585
Front panel (CRS) assembly (gaskets 32-02545 and 32-02546 required)	✓	✓	✓	—	32-02544
Front panel (SST) assembly (gaskets 32-02545 and 32-02546 required)	✓	✓	✓	—	32-02550
Gasket for front panel	✓	✓	✓	—	32-02545
Gasket for touchscreen	✓	✓	✓	—	32-02546
Backlight kit	✓	✓	✓	—	99-5704-2
Ship kit	✓	✓	✓	—	86-00090
12.1 Inch Models					
Color TFT display assembly	✓	✓	✓	—	35-4756
Glass touchscreen	✓	✓	✓	—	63-00808
Front panel (CRS) assembly (gaskets 32-02491 and 32-02492 required)	✓	✓	✓	✓	32-02489
Front panel (SST) assembly (gaskets 32-02491 and 32-02492 required)	✓	✓	✓	✓	32-02514
Gasket for front panel	✓	✓	✓	✓	32-02491
Gasket for touchscreen	✓	✓	✓	✓	32-02492
Backlight kit	✓	✓	✓	✓	99-5704-3
Ship kit	✓	✓	✓	✓	86-00089
Outdoor color TFT display assembly	—	—	—	✓	34-4289
Outdoor glass touchscreen	—	—	—	✓	63-00841
15.0 Inch Models					
Color TFT display assembly	✓	✓	✓	—	63-00814
Glass touchscreen	✓	✓	✓	—	63-00809
Front panel (CRS) assembly (gaskets 32-02497 and 32-02498 required)	✓	✓	✓	✓	32-02490
Front panel (SST) assembly (gaskets 32-02497 and 32-02498 required)	✓	✓	✓	✓	32-02515
Gasket for front panel	✓	✓	✓	✓	32-02497
Gasket for touchscreen	✓	✓	✓	✓	32-02498
Backlight kit	✓	✓	✓	—	87-02457
Ship kit	✓	✓	✓	✓	86-00089
Outdoor color TFT display assembly	—	—	—	✓	63-00853
Outdoor glass touchscreen	—	—	—	✓	63-00850
Outdoor backlight kit	—	—	—	✓	87-02515
Blind Node					
Ship kit	✓	✓	✓	—	86-00087

Note

① RoHS compliant units have a silver-colored galvanized steel back cover. Non-RoHS compliant units have a gold-colored plated steel back cover.

PanelMate ePro PS

PanelMate ePro PS Spare Parts for all Legacy Non-RoHS Compliant Models ^①

Description	Standard	Enterprise Edition	Classic	Outdoor	Catalog Number
8.4 Inch Models					
Acrylic touchscreen (gaskets 32-01682 and 32-02208 required)	✓	✓	✓	—	63-00833
Front panel assembly	✓	✓	✓	✓	91-01494
Gasket for front panel	✓	✓	✓	✓	32-01682
Gasket for touchscreen	✓	✓	✓	✓	32-02208
Backlight kit	✓	✓	✓	✓	87-02455
Ship kit	✓	✓	✓	✓	86-00088
Outdoor color TFT display assembly	—	—	—	✓	63-00854
Outdoor acrylic touchscreen (gaskets 32-1682 and 32-02208 required)	—	—	—	✓	63-00848
10.4 Inch Models					
Color TFT display assembly	✓	—	✓	—	63-00852
Glass touchscreen	✓	—	✓	—	63-00585
Front panel (CRS) assembly (gaskets 32-02545 and 32-02546 required)	✓	—	✓	—	32-02544
Front panel (SST) assembly (gaskets 32-02545 and 32-02546 required)	✓	—	✓	—	32-02550
Gasket for front panel	✓	—	✓	—	32-02545
Gasket for touchscreen	✓	—	✓	—	32-02546
Ship kit	✓	—	✓	—	86-00090
12.1 Inch Models					
Color TFT display assembly	✓	✓	—	—	63-00815
Glass touchscreen	✓	✓	—	—	63-00808
Front panel (CRS) assembly (gaskets 32-02491 and 32-02492 required)	✓	✓	—	✓	32-02489
Front panel (SST) assembly (gaskets 32-02491 and 32-02492 required)	✓	✓	—	✓	32-02514
Gasket for front panel	✓	✓	—	✓	32-02491
Gasket for touchscreen	✓	✓	—	✓	32-02492
Backlight kit	✓	✓	—	✓	87-02456
Ship kit	✓	✓	—	✓	86-00089
Outdoor color TFT display assembly	—	—	—	✓	63-00842
Outdoor glass touchscreen	—	—	—	✓	63-00841
15.0 Inch Models					
Color TFT display assembly	✓	✓	—	—	63-00814
Glass touchscreen	✓	✓	—	—	63-00809
Front panel (CRS) assembly (gaskets 32-02497 and 32-02498 required)	✓	✓	—	✓	32-02490
Front panel (SST) assembly (gaskets 32-02497 and 32-02498 required)	✓	✓	—	✓	32-02515
Gasket for front panel	✓	✓	—	✓	32-02497
Gasket for touchscreen	✓	✓	—	✓	32-02498
Backlight kit	✓	✓	—	—	87-02457
Ship kit	✓	✓	—	✓	86-00089
Outdoor color TFT display assembly	—	—	—	✓	63-00853
Outdoor glass touchscreen	—	—	—	✓	63-00850
Outdoor backlight kit	—	—	—	✓	87-02515
Blind Node					
Ship kit	✓	✓	✓	—	86-00087

Note

^① RoHS compliant units have a silver-colored galvanized steel back cover. Non-RoHS compliant units have a gold-colored plated steel back cover.

Technical Data and Specifications

PanelMate ePro PS

Description	Specification
Memory	PS, OD and classic models: 512 MB DDR2 RAM, 1 GB internal CompactFlash (C and D drive) EE models: 1 GB DDR2 RAM, 4 GB internal CompactFlash (C drive), 512 MB external CompactFlash (D drive) All models: External CompactFlash card slot, USB and PCMCIA ports available for additional memory
Voltage	24 Vdc nominal (16–30 Vdc)
Power consumption/ heat output	8 in display models: 31 watts (105 BTU/hour) 10 in display models: 33 watts (113 BTU/hour) 12 in display models: 35 watts (120 BTU/hour) 15 in display models: 54 watts (184 BTU/hour), OD 52 watts (178 BTU/hour) Blind node (no display) models: 24 watts (82 BTU/hour)
Current	8 in display models: 1.3A 10 in display models: 1.4A 12 in display models: 1.5A 15 in display models: 2.25A Blind node (no display) models: 1.0A
Peak inrush current	8 in display models: 7.0A 10 in display models: 7.0A 12 in display models: 7.0A 15 in display models: 8.0A Blind node (no display) models: 7.0A
Installation rating	All ePro PS display models are approved for use in Type 4, 4X, 12 and IP65 installations when properly mounted in a correspondingly rated enclosure
System ambient temperature	All models— Operating: 0 to 60°C (32 to 140°F) Non-operating: –25 to 70°C (–13 to 158°F)
System vibration	Operating and non-operating: 1G from 5–500 Hz
System shock	Operating and non-operating: 100G
Relative humidity	Operating: 20–95% non-condensing Non-operating: 20–95% non-condensing
Altitude	Operating: 10,000 ft (3,048m) above sea level Non-operating: 40,000 ft (12,192m) above sea level
Emissions	CISPR 11 Class A, radiated and conducted
Noise immunity	IEC 61000-4-2, 3, 4, 5, 6, 8, 11
Overall dimensions (H x W x D)	8 in display models: 7.63 x 10.51 x 3.90 in (193.8 x 267.0 x 99.1 mm) 10 in display models: 12.00 x 12.30 x 3.90 in (304.8 x 312.4 x 99.1 mm) 12 in display models: 11.60 x 15.90 x 3.90 in (294.6 x 403.9 x 99.1 mm) 15 in display models: 13.50 x 18.60 x 4.00 in (342.9 x 472.4 x 101.6 mm) Blind node (no display) models: 9.30 x 12.00 x 3.60 i. (236.2 x 304.8 x 91.4 mm)
Cutout dimensions (H x W)	8 in display models: 6.50 x 9.38 in (165.1 x 238.3 mm) 10 in display models: 11.02 x 11.40 in (279.9 x 289.6 mm) 12 in display models: 10.12 x 14.34 in (257.0 x 364.2 mm) 15 in display models: 12.05 x 17.01 in (306.1 x 432.1 mm) Blind node (no display) models: Designed for mounting in a cabinet
Weight	8 in display models: 6.0 lbs (2.73 kg) 10 in display models: 10.5 lbs (4.77 kg) 12 in display models: 13.0 lbs (5.91 kg) 15 in display models: 17.0 lbs (7.73 kg) Blind node (no display) models: 4.5 lbs (2.05 kg)

Standalone Touchscreen Displays



Contents

Description	Page
ePro PS	V7-T39-40
Standalone Touchscreen Displays	
Product Selection	V7-T39-48
Technical Data and Specifications	V7-T39-48
Canvas Software	V7-T39-49
PanelMate Power Pro LT1100, 1700, 3000 and 5000	V7-T39-51
PanelMate PC Pro Runtime Hardware Key	V7-T39-58
Power Pro Software	V7-T39-59
Accessories	V7-T39-60
Legacy Products Spare Parts	V7-T39-69

Standalone Touchscreen Displays

Product Description

Three sizes of color TFT flat panel displays with touchscreens are available for use with the PanelMate ePro Blind Nodes. Models are available in 12.1, 15.0 and 17.0 inch sizes. These displays are constructed to handle rugged environments and can be easily mounted in a cabinet or a kiosk.

Features

- 12.1 in SVGA, 15 in XGA and 17 in SXGA Color TFT LCD displays
- Five-wire analog resistive ELO touchscreen
- Stainless steel open-frame architecture
- Aluminum front bezel.
- Strengthened glass protects the front panel from shock damage
- Approved for use in Type 4, 12 and IP65 installations when properly mounted in a correspondingly rated enclosure

Standards and Certifications

- CE
- FCC Class A
- UL



Product Selection

7585DT-1_

Standalone Touchscreen Displays



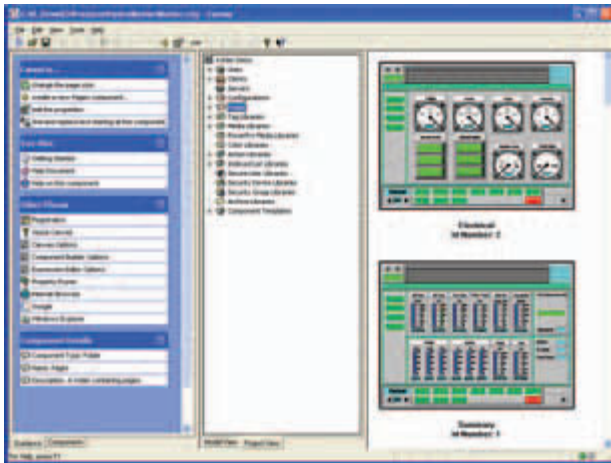
Description	Catalog Number
12.1 in color TFT display, ELO touchscreen (glass), AC	7585DT-12
15.0 in color TFT display, ELO touchscreen (glass), AC	7585DT-15
17.0 in color TFT display, ELO touchscreen (glass), AC	7585DT-17

Technical Data and Specifications

PanelMate Standalone Touchscreen Displays

Description	Specification
Voltage	100–240 Vac
System ambient operating temperature	Operating: 32 to 122°F (0 to 50°C)
System vibration	12.1 in models: 10–200 Hz, 0.15 mm, 10 cycle, 1G 15.0 in models: 10 Hz, 0.15 mm, 10 cycle, 1G 17.0 in models: 10–500 Hz
System shock	12.1 in models: 15G peak acceleration (50 ms duration) 15.0 in models: 30G peak acceleration (11 ms duration) 17.0 in models: 30G peak acceleration (11 ms duration)
Backlight	12.1 in models: 50,000 typical life 15.0 in models: 50,000 typical life 17.0 in models: 30,000 typical life
Overall dimensions (H x W x D)	12.1 in models: 11.46 x 14.41 x 1.92 in (291.1 x 366.0 x 48.8 mm) 15.0 in models: 13.23 x 17.48 x 2.10 in (336.0 x 444.0 x 53.3 mm) 17.0 in models: 15.71 x 19.02 x 2.25 in (399.0 x 483.1 x 57.2 mm)
Cutout dimensions (H x W)	12.1 in models: 10.16 x 13.11 in (258.1 x 333.0 mm) 15.0 in models: 11.77 x 15.94 in (299.0 x 404.9 mm) 17.0 in models: 14.45 x 17.68 in (367.0 x 449.1 mm)
Weight	12.1 in models: 12 lbs (5.5 kg) 15.0 in models: 14 lbs (6.5 kg) 17.0 in models: 34 lbs (15.4 kg)

Canvas Software



Contents

<i>Description</i>	<i>Page</i>
ePro PS	V7-T39-40
Standalone Touchscreen Displays	V7-T39-47
Canvas Software	
Features	V7-T39-50
Product Selection	V7-T39-50
PanelMate Power Pro LT1100, 1700, 3000 and 5000	V7-T39-51
PanelMate PC Pro Runtime Hardware Key	V7-T39-58
Power Pro Software	V7-T39-59
Accessories	V7-T39-60
Legacy Products Spare Parts	V7-T39-69

Canvas Software

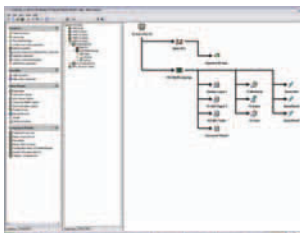
Product Description

The Canvas Software includes the Canvas application development software in addition to the Runtime software for the PanelMate ePro PS and the OPC servers/drivers. Canvas software is used to develop operator interface applications for PanelMate ePro PS industrial operator interface products. The powerful editing environment in Canvas delivers state-of-the-art features previously available only on more expensive, high-end SCADA packages. The included drivers in the form of OPC servers support Ethernet and serial connectivity to virtually any PLC platform or network, as well as a wide array of drives, motion controllers and databases. No additional fees are required.

Because the typical application development expense of a Human Machine Interface often far outweighs the expense of the hardware, the demand to design and implement these advanced solutions quickly is of paramount importance. That is why the Canvas advanced Operator Interface software package was designed with ease of use and time savings in mind.

Consistent functionality in Canvas from one control to the next and from one area to the next will help you maintain your sense of place within the project and shorten the development time. Canvas makes it easy to create and maintain an application with advanced features such as multi-language, security, recipe management and data archiving. Data may be exported, edited and imported with Microsoft Excel, saving time and ultimately reducing the cost of the project.

Canvas Editor



Canvas Editor with Page Thumbnails



Canvas Application



Features

- Operator interface—monitor and control
- High-resolution graphical interface
- Built-in two-touch control for safety applications
- Process/machine diagnostics
- Conversion of legacy PanelMate configurations
- Secure document and web/network browser
- Full mathematical evaluation
- Advanced search and replace
- Security (passwords and other security devices)
- Recipe management
- Real-time and historical alarms and events
- Real-time and historical data archiving and trending
- Notification of data and events via e-mail
- Import/export from XML
- Customizable templates/controls
- Scripting (IF, THEN, ELSE, GOTO capability)
- Launch and control of third-party applications
- Multi-language
- Reusable controls, images and pages via index lists
- Master pages
- Online and offline simulation
- Interface for DVT and Cognex Vision Systems

System Requirements

- Operating system—Microsoft Windows XP (SP1 or later) or Microsoft Windows Vista (Canvas V3.3 or later)
- Minimum Video Resolution—XGA (1024 x 768)

Note: File transfers can be done via Ethernet or USB memory devices.

Product Selection

CANVASPRO

Canvas



Description	Catalog Number
Includes Canvas software for developing applications, Runtime software for the PanelMate ePro PS Series and supporting OPC servers/drivers. Single user license. On CD-ROM. Development software requires Windows 2000 or Windows XP operating system.	CANVASPRO
Site license—See CANVASPRO (for all users at 1 site location)	CANVASPROSL
Installation CD and licensing to run Canvas runtime software on a PC with Windows XP Professional OS. Licenses for Kepware OPC servers, Data archiving and recipe management are included.	CANVASPC

PanelMate Power Pro LT1100, 1700, 3000 and 5000



Contents

<i>Description</i>	<i>Page</i>
ePro PS	V7-T39-40
Standalone Touchscreen Displays	V7-T39-47
Canvas Software	V7-T39-49
PanelMate Power Pro LT1100, 1700, 3000 and 5000	
Features	V7-T39-52
Standards and Certifications	V7-T39-52
Product Selection	V7-T39-53
PanelMate PC Pro Runtime Hardware Key	V7-T39-58
Power Pro Software	V7-T39-59
Accessories	V7-T39-60
Legacy Products Spare Parts	V7-T39-69

PanelMate Power Pro LT1100, 1700, 3000 and 5000

Product Description

The PanelMate Power Pro Operator Interfaces are a cost-efficient, easy-to-integrate alternative to traditional hardwired operator panels in control systems.

The PanelMate Power Pro products have the same cutout and stud pattern as earlier model PanelMate products and offer increased capabilities.

Control functions, such as machine status indication and pushbutton-style control, are accomplished using built-in templates displayed on a vivid screen. The PanelMate Power Pro simulates the action and performance of hardwired pushbuttons using sealed, recessed membrane control buttons on the touchpanel version or on-screen buttons on the touchscreen version. The proven intuitive operation remains the same in all PanelMate products.

Operators select templates or graphic images by moving a finger around the touchpanel or touchscreen. After selecting a template, the operator performs control actions by pressing control buttons. Users may navigate and initiate control action with just one touch (touchscreen only), if such functionality is configured for the unit using the PanelMate Power Pro Windows-based configuration software.

Features

Simplified Machine Control

- Functions such as machine setup, diagnostics, alarming, trending and custom graphics can be configured easily using the PanelMate Power Pro configuration software. This intuitive software significantly reduces the time and effort needed to create your application. The software also provides complete compatibility of configuration files with other PanelMate series products (Version 2.1 or later)
- Realistic representations of machines and processes can be displayed on all PanelMate models. Detailed symbols can be designed to the pixel level or selected from a symbol library of over 3000 customizable and scalable images. These graphics make displays more meaningful and allow operators to easily recognize and understand the displayed data. The eight-state blinking feature can be used to highlight critical functions, provide animation effects and attract the operator's attention to important information
- Application flexibility is provided by hardware features that include:
 - Approved for use in Type 4, 4X and 12 installations when properly mounted in a correspondingly rated enclosure. Stainless steel models available for PanelMate Power Pro 3000 and 5000 series
 - Executive firmware stored in nonvolatile flash memory for easy upgrades
 - Battery-backed clock that can be synchronized externally
 - Two RS-232/RS-422 serial ports for communications or printing alarms and messages (except PM 1100 models)
 - Optional, high-speed, network interface boards for connectivity to a variety of networks
 - System diagnostics
 - All PanelMate Power Pro models have up to 100-page, 5000-message capacity
 - PanelMate Pro LT supports up to 64 I/O references (expandable up to 512 I/O points) and a single communication driver

Displays Available

- Display features on all units provide VGA (640 x 480) resolution with 256-level grayscale on the grayscale versions or 256-color palette on color versions
- Touchpanel for all models include a display with electronics module and membrane keypad with offscreen 3 x 5 cell control selection, cancel key and numeric entry keypad, with four redefinable membrane control buttons to the right of the display. The PanelMate 5000 units have five membrane control buttons
- Touchscreen for all models include a display with electronics module and on-screen 3 x 5 cell control selection, four redefinable on-screen control buttons, on-screen cancel key and non-intrusive, pop-up, on-screen numeric keypad. The PanelMate 5000 units have five on-screen control buttons
- 7.4 inch grayscale LCD Flatpanel (PM Pro LT 1100, PMPP 1700)
- 7.7 inch color DSTN Flatpanel (PM Pro LT 1100, PMPP 1700)
- 8.4 inch color TFT Flatpanel (PMPP 1700)
- 10.4 inch color TFT Flatpanel (PMPP 3000 and 5000)
- Split Architecture 10.4 inch color TFT Flatpanel (PMPP 5000)
- All models available in touchscreen and touchpanel (keypad)

Standards and Certifications

- CE approved
- UL
- CSA
- UL Class I Division 2 Groups A, B, C, D



Product Selection

PanelMate Pro LT 1100

The PanelMate Pro LT 1100 is available with a 7.4 inch grayscale LCD or 7.7 inch color Dual Scan (DSTN) display with full VGA resolution and 256 shades/ colors. Models are available with either touchscreen

(acrylic) or touchpanel for operator input and can be mounted in a 4 inch deep enclosure. The PanelMate Pro LT 1100 supports applications with up to 64 I/O references and a single communication driver. The number of

supported I/O references can be upgraded to 512 I/O points (done in blocks of 64 I/O points—see 1100TAG Options). The PanelMate Pro LT 1100 requires 24 Vdc power input.

PanelMate Pro LT 1100



PanelMate Pro LT 1100 Operator Stations

Description	Catalog Number
7.4 Inch Grayscale LCD Display	
Touchpanel	1155K
Touchscreen	1155T
7.7 Inch Color DSTN Display	
Touchpanel	1175K
Touchscreen	1175T

PanelMate Pro LT 1100



PanelMate Pro LT 1100 Spare Parts

Description	Catalog Number
Keypad (4- and 15-position combined with window) for 1155K, 1175K (gasket 32-01941 required)	63-00742
Gasket for keypad (between keypad and display) for 1155K, 1175K	32-01941
Touchscreen for 1155T and 1175T (gaskets 32-01682 and 32-01941 required)	63-00838
Do not replace 63-00632, contact factory	
Gasket for touchscreen for 1155T, 1175T:	
Between touchscreen and front panel	32-01682
Between touchscreen and display	32-01941
Front panel assembly for 1155K, 1175K	91-01913
Front panel assembly for 1155T, 1175T	91-01494
Ship kit for 1155K, 1175K	86-00078
Ship kit for 1155T, 1175T	86-00077

PanelMate Power Pro 1700

The PanelMate Power Pro 1700 is available with a 7.4 inch grayscale LCD, 7.7 inch color Dual-Scan (DSTN) or 8.4 inch color TFT display with full VGA resolution and 256 shades/colors. Models are available

with either touchscreen (acrylic) or touchpanel for operator input and can be mounted in a 4 inch deep enclosure. The PanelMate Power Pro models require 24 Vdc power input.

Ordering Information

For conformal coating, add **-CC** after the catalog number. Example: 1755K-**CC**.

PanelMate Pro 1700



PanelMate Power Pro 1700 Operator Stations

Description	Catalog Number
7.4 Inch Grayscale LCD Display	
Touchpanel	1755K
Touchscreen	1755T
7.7 Inch Color DSTN Display	
Touchpanel	1775K
Touchscreen	1775T
8.4 Inch Color TFT Display	
Touchpanel	1785K
Touchscreen	1785T

PanelMate Pro 1700



PanelMate Power Pro 1700 Spare Parts

Description	Catalog Number
8.4 in color TFT display assembly for 1785	35-4974
Keypad (4- and 15-position combined with window) for 1755K, 1775K (gasket 32-01941 required)	63-00742
Gasket for keypad (between keypad and display) for 1755K, 1775K	32-01941
Front panel gasket for 1755K, 1775K	32-02229
Keypad (4- and 15-position combined with window) for 1785K (gasket 32-02208 required)	63-00741
Gasket for keypad (between keypad and display) for 1785K	32-02208
Touchscreen for 1755T, 1775T (gaskets 32-01682 and 32-01941 required)	63-00835
Do not replace 63-00632; contact factory	
Gasket for touchscreen for 1755T, 1775T:	
Between touchscreen and front panel	32-01682
Between touchscreen and display	32-01941
Touchscreen for 1785T (gaskets 32-01682 and 32-02208 required)	63-00831
Gasket for touchscreen for 1785T:	
Between touchscreen and front panel	32-01682
Between touchscreen and display	32-02208
Front panel assembly for 1755K, 1775K	91-01801
Front panel assembly for 1785K	91-01826
Front panel assembly for 1755T, 1775T, 1785T	91-01494
Gasket for mounting 1785T front panel assembly	32-02005
Backlight kit for 1785	87-02455
Ship kit for 1755K, 1775K, 1785K	86-00060
Ship kit for 1755T, 1775T, 1785T	86-00059

PanelMate Power Pro 3000

The PanelMate Power Pro 3000 is available with a 10.4 inch color TFT display with full VGA resolution and 256 colors. Models are available with either touchscreen (glass or acrylic) or touchpanel for operator

input and with painted steel or stainless steel front panels. These units can be mounted in a 5 inch deep enclosure. The PanelMate Power Pro models require 24 Vdc power input.

Ordering Information

For conformal coating, add **-CC** after the catalog number. Example: 3985K-**CC**.

PanelMate Pro 3000**PanelMate Power Pro 3000 Operator Stations**

Description	Catalog Number
10.4 Inch Color TFT Display	
Touchpanel painted steel	3985K
Touchpanel stainless steel	3985SK
Touchscreen (glass) painted steel	3985T
Touchscreen (glass) stainless steel	3985ST
Touchscreen (acrylic) painted steel	3985AT
Touchscreen (acrylic) stainless steel	3985SAT

PanelMate Pro 3000**PanelMate Power Pro 3000 Spare Parts**

Description	Catalog Number
10.4 in color TFT display assembly for 3985	63-00778
Keypad (4- and 15-position combined with window) for 3985K	63-00740
Plexi-glass window for 3985K series	32-02151
Touchscreen (glass) for 3985T and 3985ST	63-00585
Touchscreen (acrylic) for 3985AT and 3985SAT	63-00592
Front panel for 3985K (gasket 32-02143 required)	32-02141
Front panel for 3985SK (gasket 32-02143 required)	32-02288
Gasket for front panel for 3985K and 3985SK	32-02143
Front panel for 3985T and 3985AT (gaskets 32-02144 and 32-02145 required)	32-02142
Front panel for 3985ST and 3985SAT (gaskets 32-02144 and 32-02145 required)	32-02289
Gasket for front panel for 3985T, 3985ST, 3985AT and 3985SAT	32-02144
Gasket for touchscreen for 3985T, 3985ST, 3985AT and 3985SAT	32-02145
Backlight kit for 3985	87-02379
Ship kit for 3985	86-00066

PanelMate Power Pro 5000

The PanelMate Power Pro 5000 features a 10.4 inch color TFT display with full VGA resolution and 256 colors. Models are available with a touchscreen (glass) or touchpanel for operator input and with painted steel or stainless steel. The touchpanel versions are

available with either of two designs—single-piece front panel or the split architecture design. The touchpanel models can be mounted in a 19 inch rack. The cutout and stud patterns for all models are the same as earlier versions of PanelMate products that featured the

13 inch display, including the PanelMate I/II/III. The PanelMate Power Pro models require 24 Vdc power input. The PanelMate Power Pro 5000 can also be ordered with an AC power converter mounted on the back.

PanelMate Power Pro 5000



PanelMate Power Pro 5000 Operator Stations

Description	Catalog Number ^①
10.4 Inch Color TFT, Single Piece Front Panel	
Touchpanel painted steel	5785K
Touchpanel stainless steel	5785SK
Touchpanel painted with AC power converter	5785K-AC
Touchscreen painted steel	5785T
Touchscreen stainless steel	5785ST
Touchscreen painted with AC power converter	5785T-AC
10.4 Inch Color TFT, Split Architecture Design	
Touchpanel painted steel	5485K
Touchpanel stainless steel	5485SK
Touchpanel painted with AC power converter	5485K-AC

Note

^① Add “-CC” after the catalog number for conformal coating.
Example: 5785K-CC.

**PanelMate Power
Pro 5000****PanelMate Power Pro 5000 Spare Parts**

Description	Catalog Number
10.4 in color TFT display assembly for 5485, 5785	63-00778
10.4 in backlight kit for 5485, 5785	87-02379
10.4 in front panel for 5585K, 5785K (gasket 32-02301 and 32-02145 required)	47-50632
10.4 in front panel (SST) for 5585SK, 5785SK (gasket 32-02301 and 32-02145 required)	47-50632-2
10.4 in front panel for 5585T, 5785T (gaskets 32-02204 and 32-02145 required)	47-51017
10.4 in front panel (SST) for 5585ST, 5785ST (gaskets 32-02204 and 32-02145 required)	47-51017-2
10.4 in front panel (Upper) for 5285K, 5485K (gasket 32-02308 and 32-02145 required)	47-51016
10.4 in front panel (Upper, SST) for 5285SK, 5485SK (gasket 32-02308 and 32-02145 required)	47-51016-2
10.4 in gasket for front panel for 5585K, 5585SK, 5785K, 5785SK	32-02301
10.4 in gasket for front panel	32-02145
10.4 in touchscreen glass for 5585T, 5785T	63-00585
13.0 in touchscreen for 5585T, 5785T	63-00658
13.0 in front panel for 5585K, 5785K (gasket 32-02301 required)	32-02206
13.0 in front panel (SST) for 5585SK, 5785SK (gasket 32-02301 required)	32-02432
13.0 in front panel for 5585T, 5785T (gaskets 32-02204 and 32-02066 required)	32-02200
13.0 in front panel (SST) for 5585ST, 5785ST (gaskets 32-02204 and 32-02066 required)	32-02430
13.0 in front panel (upper) for 5285K, 5485K (gasket 32-02308 required)	32-02297
13.0 in front panel (upper, SST) for 5285SK, 5485SK (gasket 32-02308 required)	32-02433
13.0 in gasket for front panel for 5585K, 5585SK, 5785K, 5785SK	32-02301
13.0 in gasket for touchscreen for 5585T, 5585ST	32-02066
Gasket for front panel for 5585T, 5585ST	32-02204
Gasket for upper front panel for 5285K, 5285SK, 5485K, 5485SK	32-02308
Membrane keypad (5- and 15-position combined) for 5585K, 5785K	63-00714
Membrane keypad (5-position) for 5285K, 5485K	63-00715
Membrane keypad (15-position) for 5285K, 5485K	63-00375
Front panel (lower) for 5285K, 5485K (gasket 32-01392 required)	32-02303
Front panel (lower, SST) for 5285SK, 5485SK (gasket 32-01392 required)	32-01388
Gasket for lower front panel for 5285K, 5285SK, 5485K, 5485SK	32-01392
Backlight kit for 5585, 5285	87-02137
Add-on 115/230 Vac to 24 Vdc power converter for PanelMate Power Pro 5000, all models. Mounts on back of unit and adds 1.5 in of depth	PM5000-ACKIT
Ship kit for 5585K, 5785K	86-00067
Ship kit for 5585T, 5785T	86-00068
Ship kit for 5285K, 5485K	86-00069

PanelMate PC Pro Runtime Hardware Key



Contents

Description

	<i>Page</i>
ePro PS	V7-T39-40
Standalone Touchscreen Displays	V7-T39-47
Canvas Software	V7-T39-49
PanelMate Power Pro LT1100, 1700, 3000 and 5000	V7-T39-51
PanelMate PC Pro Runtime Hardware Key Power Pro Software	V7-T39-59
Accessories	V7-T39-60
Legacy Products Spare Parts	V7-T39-69

PanelMate PC Pro Runtime Hardware Key

Product Description

PanelMate PC Pro is an online version of the PanelMate Power Pro executive software and communication drivers, designed to run on an industry-standard Intel-based personal computer and the Windows NT 4.0 operating system. PanelMate PC Pro is a full 32-bit, Windows NT-compliant software package with 32-bit Windows NT PLC drivers, created to take advantage of standard, open architecture hardware and software developed by other vendors, while maintaining the PanelMate's legendary simplicity and ease of use.

System Requirements

PanelMate PC Pro software can be installed on any PC running Windows NT 4.0 or greater which meets the following minimum requirements:

- Intel Pentium 133 MHz (200 MHz recommended)
- 32 MB DRAM (64 MB recommended)
- 1 GB hard drive
- VGA controller and monitor
- Pointing device (touchscreen preferred)
- Windows NT Workstation V 4.0

Features and Benefits

- PanelMate PC Pro allows the user to tap into the valuable data in PanelMate from other PC applications because PanelMate PC Pro is open—bring data from the plant level down to PanelMate, or feed data from PanelMate PC Pro to other information systems in the plant
- PanelMate PC Pro adheres to Windows standards and is Windows compatible, allowing you to use the extensive networking capabilities of Windows NT
- Use of an open hardware/software platform allows the customer to precisely meet their ever-changing needs with easy processor or capacity upgrades, using off-the-shelf hardware. Supplemental functionality can be added using off-the-shelf software, allowing the user to incorporate control, operator interface, analysis, reporting, and communications into one workstation
- Use an efficient, Dynamic Link Library (DLL) interface to connect the tried-and-true PanelMate operator interface with Steeplechase's popular Visual Logic Controller soft logic PC control package
- PanelMate PC Pro has the same functionality as the PanelMate Power Pro and is fully compatible with applications created for PanelMate Power Series/PanelMate Power Pro products. Any Power Series/Power Pro application will run on PanelMate PC Pro

Note: When purchasing a PanelMate ePro PS Classic Operator Interface, PanelMate PC Pro is already integrated and ready to run.

Product Selection

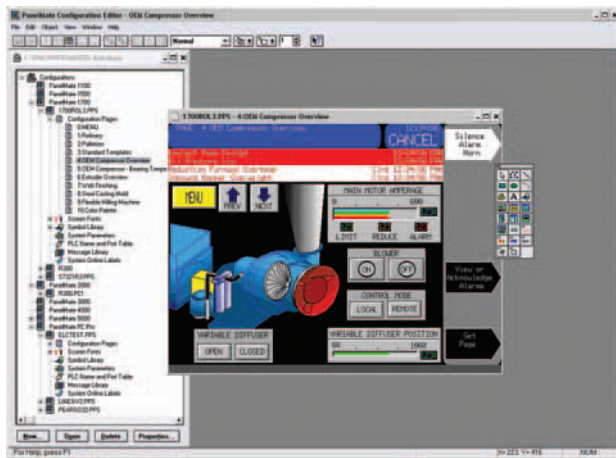
PanelMate PC Pro Runtime Hardware Key and License

Description	Catalog Number
Runtime Hardware Key to Enable PanelMate PC Pro Runtime Software Key connects to the PC parallel port and has pass-through capabilities. The hardware key is required for PanelMate online operation.	PMPC-RT

Note

Runtime software is included with PanelMate Configuration Software PMPROSW and PMPROSWSL, see **Page V7-T39-60**.

Power Pro Software



Contents

Description	Page
ePro PS	V7-T39-40
Standalone Touchscreen Displays	V7-T39-47
Canvas Software	V7-T39-49
PanelMate Power Pro LT1100, 1700, 3000 and 5000	V7-T39-51
PanelMate PC Pro Runtime Hardware Key	V7-T39-58
Power Pro Software	
Product Selection	V7-T39-60
Accessories	V7-T39-60
Legacy Products Spare Parts	V7-T39-69

Power Pro Software

Product Description

Windows-based configuration software is used to create PanelMate Power Pro, PanelMate PC Pro and PanelMate ePro configurations offline on a PC. It also permits the editing of character-based configurations from earlier-version PanelMate Series products. The following items can be configured:

- One-touch control (for touchscreen models)
- Customizable pixel-level graphics
- 8-state blink (for 256-level/color models)
- 3-level password protection
- International character set support
- Page change by operators and/or PLC
- User-definable online system prompts to permit non-English or customized text that can be toggled with standard online prompts by operators
- Alarm window with a 100-alarm capacity

Features

- Indicator templates
- Readout templates
- Bar templates
- Display templates
- Trend templates
- Table templates
- Variable-size control button templates
- Pop-up maintenance window
- Alarm window
- Advanced trend templates
- Tag name file support
- Expression management
- 3000 symbol factory clipart

PLC Communication Interfaces

Communication interfaces are available for the following programmable controllers and are downloaded from the configuration software.

Note: Multiple interfaces may be run simultaneously on PanelMate Power Pro 1700, 2000, 3000, 4000 and 5000 units.

- Allen-Bradley PLC-2, PLC-3, PLC-5 and SLC-500
- Eaton D50, D300, D320
- GE Fanuc Series 5, 6, 90
- Mitsubishi "A" Series and "FX" Series
- Modicon Modbus ASCII/RTU
- Omron "C" Series plus CV500, CV1000
- PLC-Direct DL 405 Family
- Square D SyMax
- Siemens S5 Series, 3964R Protocol, AS511
- Simatic TI 305/405 and 500/505 Series
- Reliance AutoMate
- Toshiba T2

High Speed Direct Connectivity Available

- Allen-Bradley Data Highway and Data Highway Plus
- Allen-Bradley Remote I/O Link
- GE Fanuc GENius I/O Network
- Modicon Modbus Plus
- PROFIBUS

Transfer Cables

PanelMate configuration software packages PMPROSW and PMPROSWSL include a PanelMate 1100, 1700, 3000, 5000 (0518) Transfer Serial Cable.

Product Selection

Windows Configuration Software

Windows Configuration Software for PanelMate Power Pro and PanelMate PC Pro



Description	Catalog Number
PanelMate Power Pro Windows Configuration Software and Manuals with Communication Software Interfaces for all Major PLCs and High-Speed Industrial Networks on CD-ROM with Tag and Expression Management and Symbol Factory Clipart. PMPROSW includes transfer serial cable for PM1700, 3000, 5000 (0518). PMPROSW includes electronic copies of manuals in .PDF format. Single user license.	PMPROSW
Site License—See PMPROSW (for all users at 1 site location)	PMPROSWSL
PanelMate Power Pro Upgrade from Previous PanelMate Power Series Software to PanelMate Power Pro software version on CD-ROM. Requires earlier version of PanelMate Power Series software for installation. Single user license.	PMPROSWUP
PanelMate Power Pro Software Upgrade—Site License Requires previous installation of PanelMate Power Pro Software site license (PMPROSWSL). On CD-ROM.	PMPROSWSLUP

Accessories

Allen-Bradley Connectivity

Remote I/O, Data Highway, Data Highway Plus

Accelerate/On Interface

Licensed under A-B patented technology, the interface provides a communication port for connecting directly to

the user's choice of Allen-Bradley PLC networks: Remote I/O Link, Data Highway® or Data Highway

Plus. Can be used simultaneously with PanelMate 1700, 3000 and 5000 serial ports.

Remote I/O, Data Highway, Data Highway Plus

Description	Catalog Number
Accelerate/On™ Interface	
Direct connect to Remote I/O Link, Data Highway or Data Highway Plus	
PanelMate Power Pro 1100, 1700	1241
PanelMate Power Pro 3000, 5000	1251

Allen-Bradley PLC Network Upload/Download

Includes royalty for license under Allen-Bradley patented technology.

"One-time use" diskette enables the PanelMate unit to upload and download PanelMate configurations to PCs via Allen-Bradley PLC networks. This upload/download feature can be used to conduct the following operations without having to disconnect the PanelMate Unit from the PLC, or open the enclosure to access the serial ports:

- Download configurations from a PC in a central location to PanelMate units on a network
- Upload PanelMate configurations (while units are monitoring and controlling) to a PC for backup
- Download new PanelMate software enhancements to units. Requires Accelerate/On Interface (xx41) and Windows Configuration Software or Transfer Utility option 0621
- Requires A-B RSLinx-OEM version 2.0 or higher or A-B Interchange software

Allen-Bradley PLC Network Upload/Download

Description	Catalog Number
One-time use diskette. Enables upload/download on operator station.	0524

Allen-Bradley DH-485 (SLC-500) Communications

Includes royalty for license under Allen-Bradley patented technology.

“One-time use” diskette. Licensed under A-B patented technology, this option enables communications to Allen-Bradley SLC-500 PLCs

through the DH-485 network in a single target Power Series online unit. A-B 1747-AIC Module is only required when simultaneous

interface to PanelMate and PLC programming equipment is desired.

DH-485

Description	Catalog Number
Allen-Bradley DH-485 (SLC-500) Communications	
One-time use diskette	
PanelMate Power Pro 1100, 1700	1525
PanelMate Power Pro 3000, 5000	0725

Allen-Bradley Communication Cables**PLC Interface Cables for PanelMate Power Pro 1100, 1700, 3000, 5000 and ePro**

One 15 ft (4.6m) cable, unless otherwise stated, for communications between a PanelMate 1100, 1700, 3000,

5000 or ePro unit serial port and the PLC communications port using D-Shell connectors. Cables used with

PanelMate ePro require a DB9(M)/DB9(F) converter [converts DB9(M) to DB9(F)].

PLC Interface Cables for PanelMate Power Pro 1100, 1700, 3000, 5000 and ePro

Description	Catalog Number
1785-KE, 1771-KC, KD, KE, KF, KG	AB21
AB 1747 AIC for SLC 500 (DH-485 INTFC)	AB23A
AB SLC 500 direct (6 ft/1.8m) cable	AB24A
AB SLC 503/504 (RS-232) Channel 0	AB25
AB PLC5 (RS-232) Channel 0, DF1	AB26
AB PLC5 (RS-422) Channel 0, DF1 cable	AB27A
AB MicroLogix™ adapter cable (1 ft/0.3m) (DB9F to DB9M)	AB29

Eaton Connectivity**Eaton Communication Cables****PLC Interface Cables for PanelMate Power Pro 1100, 1700, 3000, 5000, ePro**

One 15 ft (4.6m) cable, unless otherwise stated, for communications between a PanelMate 1100, 1700, 3000,

5000 or ePro unit serial port and the PLC communications port using D-Shell connectors.

PLC Interface Cables for PanelMate Power Pro 1100, 1700, 3000, 5000, ePro

Description	Catalog Number
Eaton D200 cable, for use with 1100, 1700, 3000 or 5000 only	CH21A
Eaton D50/D150/D300/D320 (RS-485) cable, for use with 1100, 1700, 3000 or 5000 only	CH22A
Eaton D50/D320/D32LT (RS-232) cable for use with ePro and PMPC-RT only—requires D50CPM485	CH23
ELC (RS-485) cable for use with ePro PS and Power Pro only	CH24

General Electric Connectivity

GE Fanuc GENius I/O Interface to GE PLCs

This interface provides a communication port for connection to GE Series 6 and Series 90 PLCs over the GENius I/O Network.

GENius I/O Interface

Description	Catalog Number
GENius I/O Interface	
For all PanelMate Power Pro 1100, 1700, 3000, 5000	1243

General Electric Communication Cables

PLC Interface Cables for PanelMate Power Pro 1100, 1700, 3000, 5000 or e-Pro

One 15 ft (4.6m) cable, unless otherwise stated, for communications between a PanelMate 1100, 1700, 3000, 5000 or ePro unit serial port and the PLC communications port using D-Shell connectors. Cables used with PanelMate ePro require a DB9(M)/DB9(F) converter [converts DB9(M) to DB9(F)].

PLC Interface Cables for PanelMate Power Pro 1100, 1700, 3000, 5000 or ePro

Description	Catalog Number
Series 90 programming port	GE21A
Series 90 (RS-422) Com 311/711 module	GE22
Series 90 (RS-232) Com 311/711 module	GE23
Series 6/6+ (RS-422) Com 2-J1 port	GE24
Series 6/6+ (RS-232) Com 2-J2 port	GE25

Mitsubishi Connectivity

Mitsubishi Communication Cables

PLC Interface Cables for PanelMate Power Pro 1100, 1700, 3000, 5000 or ePro

One 15 ft (4.6m) cable, unless otherwise stated, for communications between a PanelMate 1100, 1700, 3000, 5000 or ePro unit serial port and the PLC communications port using D-Shell connectors. Cables used with PanelMate ePro require a DB9(M)/DB9(F) converter [converts DB9(M) to DB9(F)].

PLC Interface Cables for PanelMate Power Pro 1100, 1700, 3000, 5000 or ePro

Description	Catalog Number
A Series—AJ71C24 Module (RS-232)	MI21
A Series—AJ71C24 Module (RS-422) cable	MI22A
FX/FXo Series—(RS-232/RS-422) converter	MI23

Modicon Connectivity

Modicon Modbus Plus PLC Network Upload/Download

“One-time use” diskette enables the PanelMate unit to upload and download PanelMate configurations to PCs via Modicon Modbus Plus PLC networks. This upload/download feature can be used to conduct the following operations without having to disconnect the PanelMate Unit from the PLC, or open the enclosure to access the serial ports:

- Download configurations from a PC in a central location to PanelMate units on a network
- Upload PanelMate configurations (while units are monitoring and controlling) to a PC for backup
- Download new PanelMate software enhancements to units. Requires Modbus Plus Interface, Configuration Software or Transfer Utility

Modicon Modbus Plus Network Upload/Download

Description	Catalog Number
One-time use diskette. Enables upload/download on operator station. To operate, customer requires: 1) Modbus Plus Interface (1248) to be installed in unit 2) Windows Configuration Software OR Transfer Utility on the PC	0548

Modbus Plus Communications and PanelMate

This interface provides a communication port for connection to Modicon PLCs over the Modbus Plus network. Interface mounts to the back of the online unit and can be mounted in a 4 inch (102 mm) deep enclosure.

Modbus Interface

Description	Catalog Number
Direct Modbus Plus Interface	
PanelMate Power Pro 1100, 1700, 3000, 5000	1248

Modicon Communication Cables

PLC Interface Cables for PanelMate Power Pro 1100, 1700, 3000, 5000 or ePro

One 15 ft (4.6m) cable, unless otherwise stated, for communications between a PanelMate 1100, 1700, 3000, 5000 or ePro unit serial port and the PLC communications port using D-Shell connectors. Cables used with PanelMate ePro require a DB9(M)/DB9(F) converter [converts DB9(M) to DB9(F)].

PLC Interface Cables for PanelMate Power Pro 1100, 1700, 3000, 5000 or ePro

Description	Catalog Number
9-pin Modbus	MB21
Micro PLC (RJ-45) Modbus cable	MB22

Omron Connectivity**Omron Communication Cables****PLC Interface Cables for PanelMate Power Pro 1100, 1700, 3000, 5000 or ePro**

One 15 ft (4.6m) cable, unless otherwise stated, for communications between a PanelMate 1100, 1700, 3000, 5000 or ePro unit serial port and the PLC communications port using D-Shell connectors. Cables used with PanelMate ePro require a DB9(M)/DB9(F) converter [converts DB9(M) to DB9(F)].

PLC Interface Cables for PanelMate Power Pro 1100, 1700, 3000, 5000 or ePro

Description	Catalog Number
C Series (RS-232)	OM21
CV Series (RS-232)	OM22
C Series (RS-422) cable	OM23A
CV Series (RS-422) cable	OM24A

PROFIBUS DP Connectivity**PROFIBUS DP Interface**

This PROFIBUS DP Slave Adapter interface provides communications between a PanelMate operator interface and a PROFIBUS network without requiring any additional communications modules. A maximum of one interface can be installed on each PanelMate unit.

PROFIBUS DP Interface

Description	Catalog Number
PROFIBUS DP Slave I/O Interface For all PanelMate Power Pro 1100, 1700, 3000, 5000	1247

Siemens Connectivity**PLC Interface Cables for PanelMate Power Pro 1100, 1700, 3000, 5000 or ePro**

One 15 ft (4.6m) cable, unless otherwise stated, for communications between a PanelMate 1100, 1700, 3000, 5000 or ePro unit serial port and the PLC communications port using D-Shell connectors. Cables used with PanelMate ePro require a DB9(M)/DB9(F) converter [converts DB9(M) to DB9(F)].

PLC Interface Cables for PanelMate Power Pro 1100, 1700, 3000, 5000 or ePro

Description	Catalog Number
Siemens (RS-232)	SI21
Siemens S7 HMI cable	SI22

Simatic TI Connectivity

Simatic TI Communication Cables

PLC Interface Cables for PanelMate Power Pro 1100, 1700, 3000, 5000 or ePro

One 15 ft (4.6m) cable, unless otherwise stated, for communications between a PanelMate 1100, 1700, 3000,

5000 or ePro unit serial port and the PLC communications port using D-Shell connectors. Cables used with PanelMate

ePro require a DB9(M)/DB9(F) converter [converts DB9(M) to DB9(F)].

PLC Interface Cables for PanelMate Power Pro 1100, 1700, 3000, 5000 or ePro

Description	Catalog Number
TI 500, 305 (RS-232)	TI21
TI 405 (RS-232)	TI22
TI 545 (RS-232)	TI23
TI 305-02DM, TI 405 DCM (RS-422) cable	TI25A
TI 545-1101 (RS-422) cable	TI26A
TI 545-12102, 1104, 1105 cable	TI27A

Square D Connectivity

Square D Communication Cables

PLC Interface Cables for PanelMate Power Pro 1100, 1700, 3000, 5000 or ePro

One 15 ft (4.6m) cable, unless otherwise stated, for communications between a PanelMate 1100, 1700, 3000,

5000 or ePro unit serial port and the PLC communications port using D-Shell connectors. Cables used with PanelMate

ePro require a DB9(M)/DB9(F) converter [converts DB9(M) to DB9(F)].

PLC Interface Cables for PanelMate Power Pro 1100, 1700, 3000, 5000 or ePro

Description	Catalog Number
PLC processor cable	SD21A
NIM Network Interface Module cable	SD22A

Transfer Serial Cable

One 6.0 ft (1.8m), RS-232 cable with DB9 connectors on each end, for upload/download between standard serial PC communication port and PanelMate serial port.

Transfer Serial Cable

Description	Catalog Number
PanelMate 1100, 1700, 3000, 5000 additional ^①	0518

Note

^① Included in configuration software package PMPROSW and PMPROSWSL.

Converter Connectors

Connectors that convert a 9-pin D-Shell connector to a RJ11 phone jack-style connector.

Converter Connectors

Description	Catalog Number
RS-232 DB9 (F) / RJ11 (M) converter [converts DB9 (M) to RJ11 (M)]. Ideal for converting PMPP 1700 cables for use with PMPS 1500	0820
RS-232 RJ11 (F) / DB9 (M) converter [converts RJ11 (M) to DB9 (M)]. Ideal for converting PMPS 1500 cables for use with PMPP 1700	0821

Mounting Collars and Plates

Mounting plates and collars can be used when replacing older PanelMate products with newer models with no or minimal cutout changes required.

Adapter Plates (Similar Look to a Painted Steel Front Panel)

Description	Catalog Number
Micro PanelMate (D820, D830, D840) to 2- or 4-line ELC graphics panel (ELC-GPxx) keypad	APPM1ELCGP4
6 in PM 500, 1000 to 6 in (HMI06xx) touchscreen and function buttons	APPM1HMI6
8 in PM (11xxK, 17xxK, 75xxK-8) keypad to 8 in (11xxT, 17xxT, 75xxT-8, 76xxT-8x) touchscreen	APPS8A
8 in PM (11xxK, 17xxK, 75xxK-8) keypad to 8 in (HMI08CE) touchscreen	APPM1HMI8
9 in PM 2000/compact (24xx/25xx) keypad to 8 in PM (11xxK, 17xxK, 75xxK-8) keypad ^①	1524TP
9 in PM 2000/compact (24xx/25xx) keypad to 8 in PM (11xxT, 17xxT, 75xxT-8, 76xxT-8x) touchscreen	1524TPTS
9 in PM 2000 (26xx/27xx) keypad to 8 in PM (11xxK, 17xxK, 75xxK-8) keypad ^①	1527TP
9 in PM 2000 (26xx/27xx) keypad to 8 in PM 11xxT, 17xxT, 75xxT-8, 76xxT-8 touchscreen	1527TPTS
9 in PM 2000 (26xx/27xx) touchscreen to 8 in PM (11xxT, 17xxT, 75xxT-8, 76xxT-8x) touchscreen ^①	1527TS
10 in PM 3000 (39xxK, 75xxK-10) keypad to 10 in (HMI10CE) touchscreen and function buttons	APPM2HMI10
10 in PM 3000 (39xxT, 75xxT-10, 76xxT-10x) touchscreen to (HMI10CE) touchscreen and function buttons	APPM1HMI10
10 in PM ePro (7585K-10) keypad to 10 in ePro PS (76xxT-10x) touchscreen	APPS10A
13 in PM 5000 (54xx) keypad-split to 12 in (76xxT-12x) touchscreen	APPS12B
14 in PM 4000 (45xx), 13 in 5000 (55xx/57xx) keypad to 12 in PM ePro PS 12 in (7685T-12) touchscreen	APPS12A
14 in PM 4000 (45xx), 13 in 5000 (55xx/57xx) keypad to 15 in (7585DT-15) remote touchscreen display	APFP15A

Adapter Collars (Raise front of PanelMate 1.00 In [25.4 mm] from the Mounting Surface)

Description	Catalog Number
PM 2000/compact (24xx) touchpanel to PM 11xxK, 17xxK, 75xxK-8 touchpanel collar. For Type 12 installations only.	1524TPCOLLAR
PM 2000 (26xx/27xx) touchpanel to PM 11xxK, 17xxK, 75xxK-8 touchpanel collar. For Type 12 installations only.	1527TPCOLLAR

Note

^① Cutting is required to make the cutout wider; drilling is required for new stud holes. For touchpanel units, see table above if cutting and drilling is not an option.

PanelMate Overlay Kits

The overlay kits are ideal for protecting your screens from dirt, grime and abrasion and are particularly desirable for PanelMate touchscreen

models installed in dirty environments. These overlays have an additional anti-glare feature. The overlays simply adhere to the

front of the display and can be easily removed and replaced when required. Five overlays are included in each kit.

Overlay Kits

Description	Catalog Number
8.4 in Anti-Glare Overlay Kit, 5 overlays/kit, for use with PanelMate 11xxT, 15xxT, 17xxT, 75xxT-8, 76xxT-8x, and HMI08CE	17AGT
10.4 in Anti-Glare Overlay Kit, 5 overlays/kit, for use with PanelMate Power Pro 3000, 5000 (All 10.4 in models), 75xx-10 (all models), 76xxT-10x, and HMI10CE	39AG
13.0 in Anti-Glare Overlay Kit, 5 overlays/kit, for use with PanelMate Power Pro 5000 (All 13.0 in models)	55AG
12.1 in Anti-Glare Overlay Kit, 5 overlays/kit for use with 12 in PanelMate ePro PS 12 in models (76xxT-12x) and 12 in standalone touchscreen displays (7585DT-12)	AG-12
15.0 in Anti-Glare Overlay Kit, 5 overlays/kit for use with PanelMate ePro PS 15 in models (76xxT-15x) and 15 in standalone touchscreen displays (7585DT-15)	AG-15
17.0 in Anti-Glare Overlay Kit, 5 overlays/kit for use with 17 in standalone touchscreen displays (7585DT-17)	AG-17

PanelMate Pro LT 1100 Tags

The PanelMate Pro LT 1100 I/O Reference Point Expansion is an upgrade kit that includes a hardware key and download software. The upgrades are provided on the

hardware key and are downloaded to a PanelMate Pro LT 1100 from a PC using the provided hardware key and software. The PanelMate Pro LT supports 64 I/O points as

standard and can be upgraded to support a maximum of 512 I/O points (7 upgrades installed).

PanelMate Pro LT Expansion

Description	Catalog Number
I/O Reference Point Expansion (64 points per upgrade)	
1 x 64 I/O point expansion	1100TAG1
5 x 64 I/O point expansion	1100TAG5
10 x 64 I/O point expansion	1100TAG10
50 x 64 I/O point expansion	1100TAG50

PanelMate ePro PS Restore Kits

Each Restore Kit provides a simple way to reset the load of the PanelMate ePro PS internal CompactFlash® that holds the operating system to the factory-installed image or the customer's modified image. This kit is typically used as a field-recovery method for operating system problems, but it can also be used to upgrade the image load of installed units.

Each Restore Kit can be re-used to restore multiple PanelMate ePro PS units or to restore the same PS unit multiple times. The kit used for restoring the factory-installed image must match the model type of the unit being restored to maintain product integrity.

Installation requires a Microsoft-compatible USB keyboard and mouse and an Ethernet network connection.

Restore Kits

Description	Catalog Number
New RoHS Compliant Models ①	
Kit to restore PanelMate ePro PS, OD, and Classic units to the current factory image load or the modified image	76MLPS
Kit to restore PanelMate ePro PS EE units to the current factory image load or the modified image	76MLEE
Legacy Non-RoHS Compliant Models ①	
Kit to restore PanelMate ePro PS and PS OD Display units to the current factory image load	76MLPSD
Kit to restore PanelMate ePro PS Blind Node units to the current factory image load	76MLPSB
Kit to restore PanelMate ePro PS EE Display units to the current factory image load	76MLEED
Kit to restore PanelMate ePro PS EE Blind Node units to the current factory image load	76MLEEB
Kit to restore PanelMate ePro PS Classic Display units to the current factory image load	76MLPSCD
Kit to restore PanelMate ePro PS Classic Blind Node units to the current factory image load	76MLPSCB

Note

- ① RoHS compliant units have a silver-colored galvanized steel back cover.
- Non-RoHS compliant units have a gold-colored plated steel back cover.

Legacy Products Spare Parts

PanelMate ePro



PanelMate ePro (75xx Series) Spare Parts

Description	Catalog Number
10.4 in color TFT display assembly for 7585K-10 and 7585T-10 Series	63-00778
Keypad with window for 7585K-8 Series	63-00796
Touchscreen for 7575T-8 Series (gaskets 32-01682 and 32-02437 required)	63-00837
Gasket for touchscreen (between touchscreen and front panel) for 7575T-8 Series	32-01682
Gasket for touchscreen (between touchscreen and display) for 7575T-8 Series	32-02437
Touchscreen for 7585T-8 Series (gaskets 32-01682 and 32-02208 required)	63-00832
Gasket for touchscreen (between touchscreen and front panel) for 7585T-8 Series	32-01682
Gasket for touchscreen (between touchscreen and display) for 7585T-8 Series	32-02208
Keypad for 7585K-10 Series (does not include window)	63-00805
Plexi-Glass window for 7585K-10 Series	32-02151
Touchscreen for 7585T-10 Series	63-00585
Gasket for touchscreen for 7585T-10 Series (between touchscreen and display)	32-02145
Front panel assembly for 7585K-8 Series	91-01985
Front panel assembly for 7575T-8 and 7585T-8 Series	91-01494
Front panel for 7585T-10 Series (gaskets 32-02144 and 32-02145 required)	32-02444
Gasket for front panel for 7585T-10 Series	32-02144
Gasket for touchscreen for 7585T-10 Series	32-02145
Backlight kit for 7585K-8 and 7585T-8 Series	87-02455
Backlight kit for 7585K-10 and 7585T-10 Series	87-02379
Ship kit for 7585K-8 Series	86-00086
Ship kit for 7575T-8 and 7585T-8 Series	86-00083
Ship kit for 7585T-10 Series	86-00085
ISA 1 Port PanelMate PC adapter	D712-DHP-ISA

PanelMate Power Series 2000 Spare Parts

Description	Catalog Number
PanelMate Power Series upgrade kit (adds high capacity, dynamic graphics, advanced trending and Modbus enabler)	PMUPGRADE

PanelMate Power Series 3000 Spare Parts

Description	Catalog Number
Keypad with window for 39xx	63-00743
Touchscreen for 39xx	63-00285
PanelMate Power Series upgrade kit (adds high capacity, dynamic graphics, advanced trending and Modbus enabler)	PMUPGRADE

PanelMate Power Series 4000 Spare Parts

Description	Catalog Number
Membrane keypad (5-position) for 42xx	63-00376
Membrane keypad (15-position) for 42xx	63-00375
Cable for remote keypad	90-00594
Membrane keypad (5-position) for 45xx	63-00391
PanelMate Power Series upgrade kit (adds high capacity, dynamic graphics, advanced trending and Modbus enabler)	PMUPGRADE
Touchscreen for 45xx	63-00773
Display assembly for 42xx, 45xx	91-01538

PanelMate Power Series 5000 Spare Parts

Description	Catalog Number
Membrane keypad (15-position) for 52xx	63-00375
Cable and remote keypad for 52xx	90-00594
Touchscreen for 55xx	63-00773
Touchscreen cable for 55xx	90-00715
PanelMate Power Series upgrade kit (adds high capacity, dynamic graphics, advanced trending and Modbus enabler)	PMUPGRADE
Backlight kit for 52xx, 55xx	87-01783

PanelMate Power Series 1000 Spare Parts

Description	Catalog Number
Front panel, keypad assembly, painted steel for 1218	FRPNL-1218
Front panel, keypad assembly, stainless steel for 218S	①
Backlight kit for 1218, 218S	87-02143

Note

① Contact factory.